



# Doormerica Index

<b>CATEGORY</b>	<b>PRODUCT/DESCRIPTION</b>	<b>PAGE</b>
LOCKS	Touch Screen Digital Lock.....	3-4
	Heavy Duty Commercial Cylindrical LHV Locks - Grade 1 .....	5
	Standard Duty Commercial Cylindrical LSV Locks - Grade 2.....	6
	Medium Duty Commercial Cylindrical LDV Locks - Grade 2.....	7
	Residential Cylindrical ECL Latchset - Grade 3.....	8
	General Lock Information.....	9
LOCK/ACC.	Deadlatches and Spring Latches.....	10
	Strikes and Accessories.....	10
LOCKS	ASIL Adjustable - Simultaneous Retraction Interconnected Locks - Grade 2 .....	11
	Deadbolts - Standard Duty Commercial 700 Series Deadbolt - Grade 2.....	12
	Deadbolts - Standard Duty 200 Series Deadbolt .....	13
	Heavy Duty Commercial Mortise Locks .....	14
	Mortise Locks - Function Chart .....	15
HANDING CHART	Handing Chart.....	16
EXITS	Heavy Duty Exit Device 700 Series - Grade 1 .....	17
	Heavy Duty Vertical Rod Exit Device 700 Series - Grade 1 .....	18
	Heavy Duty Vertical Rod Fire Rated Less Bottom Rod 700 Series - Grade 1 .....	19
	Heavy Duty Concealed Vertical Rod Exit Device 700 Series - Grade 1 .....	20-21
EXIT/TRIM	Escutcheon Levers - 700 Series.....	22
	Pull & Thumbpiece - 700 Series.....	22
EXIT/ACC. 700	Glass Bead Shim Kit - 700 Series.....	23
	Overlapping Strike - 700 Series .....	23
	Firebolt - 700 Series .....	23
	Exit Alarm Kit - 700 Series .....	23
EXITS	Exit Device - Standard Duty Commercial Rim 500 Series .....	24
	Exit Device - Standard Duty Commercial Surface Vertical Rod 500 Series .....	25
EXIT/TRIM	Exit Device Trim - 500 Series .....	26
	Pull Trim - 500 Series .....	26
EXIT/ACC. 500	Exit Device Alarm Kit - 500 Series.....	26
	Exit Device Vertical Rod Extension - 500 Series.....	26
	Exit Device Vertical Rod Back Plate - 500 Series .....	26
MULLIONS	Mullions.....	27
CLOSERS	Extra Heavy Duty Door Closers - DC40.....	28
	Heavy Duty Door Closers - DC851.....	29
	Heavy Duty Door Closers - DC70.....	30
	Standard Duty Door Closer - DC161.....	31
	Standard Duty Door Closer - DC50.....	32
ELECT. HOLDER	Door Holder - Electro Magnetic .....	33
COORDINATORS	Coordinators & Mounting Brackets.....	34
AUTO FLUSH	Automatic Flushbolts - For Metal and Wood Doors .....	35
MANUAL FLUSH	Manual Flushbolts.....	36
DUST STRIKES	Dust Proof Strikes.....	37



# Doormerica

## Index

<b>CATEGORY</b>	<b>PRODUCT/DESCRIPTION</b>	<b>PAGE</b>
HINGES	Full Line of Commercial and Residential Hinges	38-42
CONTINUOUS HINGES	Continuous Geared Aluminum Hinges	43-44
BARN DOOR	Premium Sliding Barn Door Hardware	45-49
HARDWARE	Premium Sliding Barn Door Accessories	50
	Premium Sliding - Door Pulls	51
	Rustic Sliding Barn Door Hardware	52-54
	Sliding Barn Door Floor Guides	55
PLATES	Pushes and Pulls	56
	Kick Plates	56
GEN. H/W	Door Guards - Swing Bar Lock, Door Angle Protector, Door Guard Shim	57
	Viewers - Solid Cast Brass	57
	Door Holders	58
	Wall Stops	58
	Floor Stops	59
	Roller Latches	60
	Ball Catches	61
SIGNS	Wall & Door Signs / ADA	62
WARRANTY	Doormerica Warranty	63



# Doormerica

## DMH Touch - Touch Screen Digital Lock with Smart+ Prox Card



### Features:

- Stand-alone Touchscreen responds to human touch enabling convenient entrance or access to programming menu. After operation has been completed, the lock reverts to sleep mode.
- Grade 1 lockset with electronic modern touch screen.
- Easy programmable menu.
- Smart+ Prox card compatible - slim “no slot” design.
- Convenient wake-up button illuminates and activates easy to read key pad.
- Low battery indicator.
- Allows up to 1,000 individual user codes and credentials.
- Free wheeling lever mechanism.
- 9 volt battery terminal for emergency power supply.
- Saturn lever design.
- Allows continuous entry for non-restricted traffic.
- Non-handed, field reversible.
- Wake-up Button activates and illuminates the number pad for PIN code and Prox Card entry.
- Includes 2 Smart+ Prox Cards. Additional cards available.

### CODE COMPLIANCE:

- ANSI/BHMA - Certified ANSI/BHMA A156.2 Series 4000, Grade 1 strength and operational requirements.
- A.D.A. - All levers conformed to ADA requirement for barrier-free accessibility.
- UL/cUL - UL listed to USA and Canadian safety standards listed for 3 hour doors. Letter F and UL symbol latch fronts indicate listing.
- Positive Pressure - Meets UL 10C and UBC 7-2(1997)
- California State Reference Code - Levers with less than 1/2”(13mm) returns comply : Levers returns to within 1/2”(13mm) door face.

### WARRANTY - ONE YEAR FROM DATE OF INSTALLATION

### Stocked Product

Item	Finish
DMH Touch Lock	10A, 26D
DMH Smart+ Prox Card	

Continue to next page



# Doormerica

## DMH Touch - Touch Screen Digital Lock (Continued from previous page)

### Specifications:

- **User PIN Code**  
1,000 individual users codes + credentials
- **Smart+ Prox Card**  
- Compatible with existing MIFARE infrastructures  
- Operates at 13.56 MHz in accordance with ISO14443A  
- Inductive Distance up to 1-3/16" (~30mm)  
- PVC 1/32" x 2-1/8" x 3-3/8" (.076mm x 54mm x 85.6mm)
- **Handing**  
Non-Handed, Field reversible levers
- **Lever mechanism**  
Free wheeling lever mechanism. When the outside lever is locked, it will rotate freely up and down while remaining securely locked.
- **Door thickness**  
1-3/8" ~2" (35mm~51mm) standard
- **Backset**  
2-3/4" (70mm) standard or 2-3/8" (60mm) special order
- **Face plate**  
1-1/8" x 2-1/4" (28mm x 57mm) square corner, beveled, for 2-3/4" (70mm) backset standard  
1" x 2-1/4" (25mm x 57mm) square corner, beveled, for 2-3/8" (60mm) backset optional
- **Strike**  
ANSI Curved lip strike 1-1/4" x 4-7/8" x 1-3/16" (32mm x 124mm x 30mm) lip to center standard. Optional ("T", "Full-lip") strike available on request.
- **Exposed Trim**  
Lever: pressure cast zinc, plated to match finish symbols. All metal escutcheon provide quality and durability.
- **Latch bolt**  
1/2" (13mm) throw solid brass, deadlocking on keyed function.
- **Lever design**  
Saturn
- **Cylinder**  
6-pin solid brass "Schlage C" keyway standard with two brass keys per lock.
- **Finish**  
US10A/US26D  
Other finishes available with lead time.
- **Power source**  
Powered by 4 AA Alkaline battery with optional hardwire. 9 volt battery terminal for emergency power supply.
- **Environmental performance**  
Weather resistant  
Temperature ranging from -30°F~150°F(-30°C~+66°C) at 85% relative humidity.

### Programming Functions:

- **Master PIN code**  
It is used for programming and register some kinds of PIN codes. It can open door and factory default setting.
- **User PIN code**  
It can open door and registered up to 1,000 codes, 3-6 digits.
- **One-time user PIN code**  
It can only be used once and the PIN code information is deleted automatically after use.  
It can be registered up to 3 different codes, 3-6 digits.
- **Manager PIN code**  
It can open the door with lockout mode and be used like User PIN code.  
It can be registered up to 3 different codes, 3-6 digits.
- **Smart+ Prox Card**  
It can be registered with each registration number(No.1~999) consecutively by Master PIN code.  
If not needed anymore, delete registration number only.
- **Passage Mode**  
Enabling Passage mode allows continuous entry for non-restricted traffic. Passage mode enabled or disabled through feature programming by either the Master or Manager PIN code. When the unit is in Passage Mode, the unlocked padlock icon will appear on the screen.
- **Lock-out Mode**  
This feature is enabled by either the Master or Manager PIN Codes. When enabled, it restricts all User PIN Code access except Master and Manager PIN Codes. When the unit is in Lock-out, the padlock will appear on the screen.
- **Low Battery**  
When battery power is low, the low battery icon will begin blinking. If battery power is completely lost, the key and cylinder can be used or the 9 volt battery terminal can be used for emergency power.
- **Auto Re-lock time**  
After successful code entry and the units unlocks, it will automatically re-lock in a default of five (5) seconds. RE-lock time can be changed by either Master or Manager PIN code.
- **Sound Volume**  
Can be changed by either Master or Manager PIN code. The factory default is 2 Level. ( Min1- Max3, Mute4).

### Stocked Product

Item	Finish
DMH Touch Lock	10A, 26D
DMH Smart+ Prox Card	



# Doormerica

## LHV - Heavy Duty Commercial Cylindrical Locks-Grade 1



**Saturn**



**Sparta**



**Tubular**



### Features:

- Non-Handed and Reversible.
- 2-3/4" Backset, 1-1/8"x 2-1/4" Face Plate, UL 3 Hour Fire Listed Stainless Steel Latch or Dead-latch.
- 1-1/4" x 4-7/8" ANSI Strike.
- Schlage "C" 6 Pin Keyway Standard.
- Saturn, Sparta and Tubular Lever Design.
- Barrier Free and Returns within 1/2" from the Door Face.
- Door Thickness 1-3/4" -2"

### Options:

- CL -Clutch Function -Lever Rotates without Unlatching Lock.
- IC -Small format Interchangeable Core available for Saturn and Sparta lever design, Core NOT included.
- LFIC - Large Format Interchangeable Core available for Saturn lever design, Core NOT included.
- PLKLHVSL238 -2-3/8" Backset, Spring Latch. (SOLD SEPERATELY)
- PLKLHVDL238 -2-3/8" Backset. Dead Latch. (SOLD SEPERATELY)

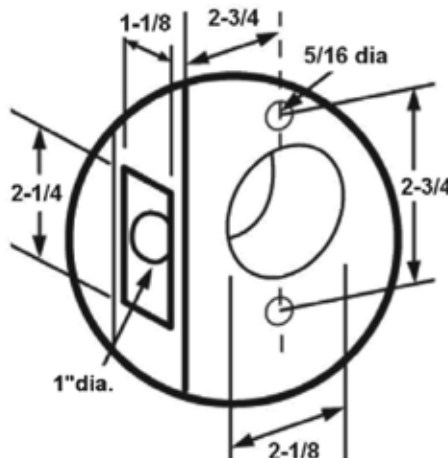


### CODE COMPLIANCE:

- ANSI A156.2 Grade 1. UL10C and UBC 7.2 for positive pressure.
- ANSIA117.1 and ADA for barrier-free accessibility
- C-UBC -California Amended Uniform Builders Code -2001
- NFPA-80 -National Fire Protection -1999
- NFPA-101 National Fire Protection-Life Safety 2000

### LIMITED LIFETIME WARRANTY

### Stocked Product



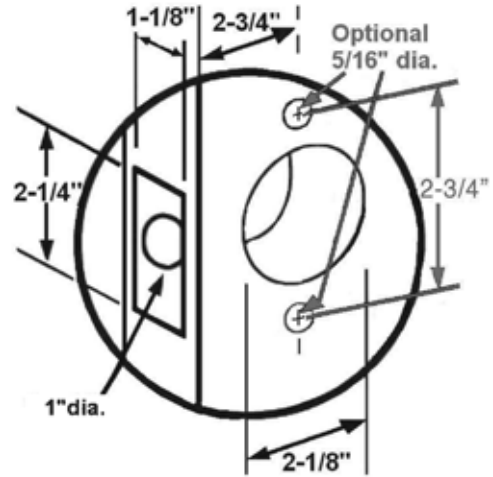
Item	Style	Finish
LHV10, LHV40, LHV50, LHV53, LHV70, LHV75*, LHV80, LHV170	Saturn	10B, 26D
LHV10, LHV40, LHV50, LHV53, LHV70, LHV80, LHV170	Sparta	10B, 26D
LHV10, LHV40, LHV50, LHV53, LHV70, LHV80, LHV170	Tubular	26D
LHV53, LHV70, LHV80 IC core less core	Saturn	26D
LHV50, LHV53, LHV75, LHV80 LFIC core less core	Saturn	26D
LHV50, LHV53, LHV70, LHV80 IC core less core	Sparta	26D
LHVCL53, LHVCL70, LHVCL80 Clutch	Saturn	10B, 26D
LHVCL53, LHVCL70, LHVCL80 Clutch	Sparta	26D
LHVCL53, LHVCL70, LHVCL80 Clutch	Tubular	26D
LHVCL53, LHVCL70, LHVCL80 IC With clutch	Saturn	26D
LHVCL53, LHVCL70, LHVCL80 IC With clutch	Sparta	26D

\*26D only



# Doormerica

## LSV - Standard Duty Commercial Cylindrical Locks-Grade 2



### Features:

- Non-Handed and Reversible.
- 2-3/4" Backset, 1-1/8" x 2-1/4" Face Plate, UL 3 Hour Fire Listed Stainless Steel Latch or Dead-latch.
- 1-1/4" x 4-7/8" ANSI Strike.
- Schlage "C" 6 Pin Keyway Standard.
- Barrier Free & Returns within 1/2" from Door Face.
- Saturn and Sparta Lever Trim.
- Door Thickness 1-3/8" -1-3/4"
- RTB-Removable thru bolts supplied but NOT installed.

### Options:

- CL -Clutch Function -Lever Rotates without unlatching the door
- IC -Small format Interchangeable Core available. Core NOT included.
- PLSVSL238 2-3/8" Backset Spring Latch. (SOLD SEPERATELY)
- PLSVDL238 2-3/8" Backset Dead Latch. (SOLD SEPERATELY)
- PLSVDL23826D-1RD: 2-3/8" Backset Dead Latch, Round corner w/ 1" Face Plate. (SOLD SEPERATELY)
- PLSVSL23826D-1RD: 2-3/8" Backset Spring Latch, Round corner w/ 1" Face Plate. (SOLD SEPERATELY)
- PLSVDL23426DRD: 2-3/4" Backset Dead Latch, Round corner. (SOLD SEPERATELY)
- PLSVSL23426DRD: 2-3/4" Backset Spring Latch, Round corner. (SOLD SEPERATELY)
- 1" -1" x 2-1/4" Latch Face Plate.
- PLKEXT5 -Extension for 5" Backset.



### CODE COMPLIANCE:

- ANSI A156.2 Grade 2. UL10C and UBC 7.2 for positive pressure.
- ANSIA117.1 and ADA for barrier-free accessibility
- C-UBC -California Amended Uniform Builders Code -2001
- NFPA-80 National Fire Protection Assoc.-1999
- NFPA-101 National Fire Protection-Life Safety 2000

### LIMITED LIFETIME WARRANTY

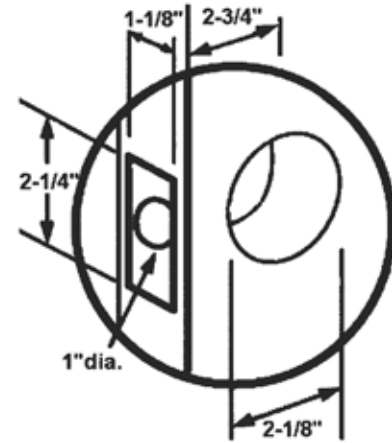
### Stocked Product

Item	Style	Finish
LSV10, LSV20, LSV40, LSV53, LSV70, LSV80, LSV170	Saturn/Sparta	26D
LSV10, LSV40, LSV53, LSV80 LSV20	Saturn/Sparta	US3, 10B, 26
LSV20	Saturn	10B
LSV53, LSV70, LSV80		
IC core less core	Saturn	26D
LSV53, LSV70, LSV80 clutch	Saturn	10B, 26D
LSV70	Saturn	10B, 26
LSV70	Sparta	US3, 10B, 26
LSV170	Saturn	US3, 10B, 26
LSV170	Sparta	10B, 26



# Doormerica

## LDV - Medium Duty Commercial Cylindrical Locks-Grade 2



### Features:

- Non-handed and reversible
- 2-3/4" backset, 1-1/8" x 2-1/4" face plate
- PLKASA -4-7/8" x 1-1/4" ANSI strike
- Schlage "C" 6 pin keyway standard
- Saturn lever trim
- Barrier free and returns within 1/2" from the door face
- Door thickness 1-3/8" -1-3/4"



### CODE COMPLIANCE:

- ANSI A156.2 Grade 2. UL10C and UBC 7.2 for positive pressure.
- ANSIA117.1 and ADA for barrier-free accessibility
- C-UBC -California Amended Uniform Builders Code -2001
- NFPA-80 National Fire Protection Assoc.-1999
- NFPA-101 National Fire Protection-Life Safety 2000

### Options:

- PLSVSL238 -2-3/8" backset, spring latch (SOLD SEPERATELY)
- PLSVDL238 -2-3/8" backset, dead latch (SOLD SEPERATELY)
- PLSVDL23826D-1RD: 2-3/8" Backset Dead Latch, Round corner w/ 1" Face Plate. (SOLD SEPERATELY)
- PLSVSL23826D-1RD: 2-3/8" Backset Spring Latch, Round corner w/ 1" Face Plate. (SOLD SEPERATELY)
- PLSVDL23426DRD: 2-3/4" Backset Dead Latch, Round corner. (SOLD SEPERATELY)
- PLSVSL23426DRD: 2-3/4" Backset Spring Latch, Round corner. (SOLD SEPERATELY)
- 1" x 2-1/4" latch & dead-latch available
- PLKFL -2-1/4" x 1-1/4" full lip strike (SOLD SEPERATELY)
- PLKT -2-3/4" x 1-1/4" - "T" strike (SOLD SEPERATELY)

### 1 YEAR LIMITED WARRANTY

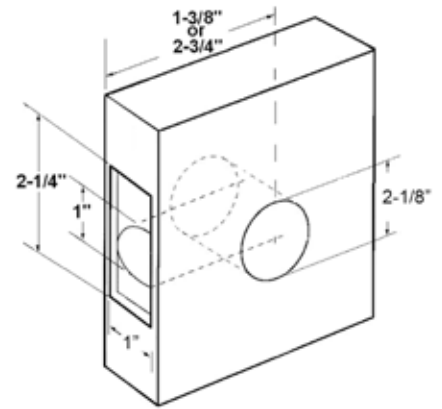
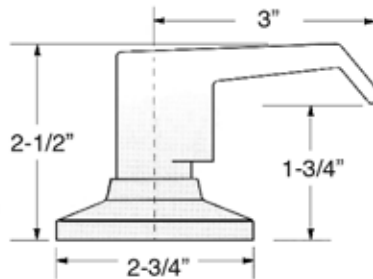
### Stocked Product

Item	Style	Finish
LDV10,LDV20,LDV40,LDV53, LOV70,LDV80,LDV170	Saturn/Sparta	26D



# Doormerica

## ECL - Residential Cylindrical Latchset-Grade 3



### Features:

- Non-handed and reversible
- PECL-SIADJ -Adjustable backset, 2-3/8" or 2-3/4"
- 1" x 2-1/4" faceplate spring latch
- PLKT-2-3/4" x 1-1/4" -"1" strike
- LEV lever trim only
- Barrier free
- Door thickness 1-3/8" -1-3/4"

### Options:

- PLKFL -2-1/4" x 1-1/4" full lip strike (SOLD SEPERATELY)
- PLKASA -4-7/8" x 1-1/4" ASA strike (SOLD SEPERATELY)
- PECL26DRD- round corner adjustable latch. 2-3/8"-2-3/4"

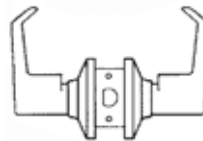


### CODE COMPLIANCE:

- ANSIA117.1 and ADA for barrier-free accessibility
- NFPA101 National Fire Protection-Life Safety 2000

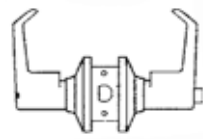
### 1 YEAR LIMITED WARRANTY

### Functions:



#### ECL10 Passage

- Latch by lever either side.
- Both levers always free.



#### ECL40 Privacy

- Latch by lever either side.
- Outside lever locked by push button.
- Outside lever unlocked by emergency release or by rotating inside lever. Inside lever always free.



#### ECL170 Dummy

- Lever acts as pull only.
- No operation.

### Stocked Product

Item	Design	Finish
ECL10, ECL40, ECL170	LEV	10B, 26D, US3
PECL26DRD		26D

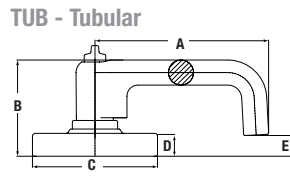
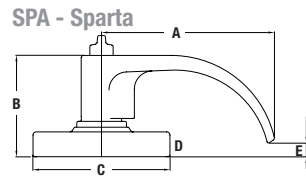
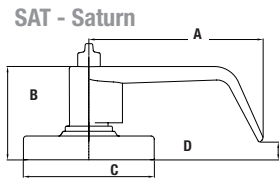




# Doormerica

## Lock - General Information

LEVER DIMENSIONS		A	B	C	D	E
LHV-SAT-SATURN	Grade 1	4-15/16	2-1/2	3-9/16	5/8	1/2
LHV-SPA-SPARTA	Grade 1	4-31/32	2-17/32	3-1/2	5/8	1/2
LHV-TUB-TUBULAR	Grade 1	4-15/16	2-13/32	3-9/16	5/8	1/2
LSV-SAT-SATURN	Grade 2	4-5/8	2-1/2	3-3/8	11/16	1/2
LSV-SPA-SPARTA	Grade 2	4-17/32	2-7/16	3-5/16	11/16	1/2
LDV-SAT-SATURN	Grade 2	4-5/16	2-1/2	2-15/16	1/2	1/2
LDV-SPA-SPARTA	Grade 2	4-17/32	2-7/16	3-5/16	11/16	1/2



	Function	ANSI	Function Description	LHV	LSV	LDV	ECL
	10	Passage F75	Latchbolt operated by handle from either side at all times	LHV10	LSV10	LDV10	ECL10
	20	Exit F111	Blank plate outside, inside lever always free	N/A	LSV20	LDV20	N/A
	40	Privacy F76	Push button locking from inside. Lock can be opened from outside with narrow flat-head screw driver or rotating inside lever	LHV40	LSV40	LDV40	ECL40
	50	Office	Entrance/Office Lock. Push-button locking. Push-button locks outside lever until unlocked with key or by rotating inside lever	LHV50	N/A	N/A	N/A
	53	Entrance F82	Pushing inside button locks outside trim requiring key to unlock. Pushing and twisting button locks outside lever and always requires a key to unlatch. Inside lever always allows free egress	LHV53	LSV53	LDV53	N/A
	70	Classroom F84	Outside lever locked our unlocked by key. Inside lever always allows free egress	LHV70	LSV70	LDV70	N/A
	75	Intruder Classroom* F110	Deadlocking latchbolt operated by handle from either side (inside handle always operates latchbolt). Key either inside or outside locks or unlocks outside handle. Key from either side retracts latchbolt.	LHV75	N/A	N/A	N/A
	80	Storeroom F86	Outside lever always locked. Key unlatches only. Inside lever always allows free egress	LHV80	LSV80	LDV80	N/A
	170	Dummy	Dummy trim for one side of door	LHV170	LSV170	LDV170	ECL170

\*The rose provides an intuitive marking etched into it to provide the user with a permanent visual indicator to identify which way to turn the key in order to lock the door from the interior or classroom side. The visual indicator may reduce the time required to ensure the lock is secure if the threat of an intruder were identified.



# Doormerica

## Lock - General Accessories

## Deadlatches and Spring Latches



**PLSVSL238**  
GRADE 2



**PLSVDL238**  
GRADE 2



**PLSVSL234**  
GRADE 2



**PLSVDL234**  
GRADE 2

**PLHVSL238**  
GRADE 1

2-3/8" Backset  
Spring Latch

**PLHVDL238**  
GRADE 1

2-3/8" Backset  
Dead Latch

**PLHVSL234**  
GRADE 1

2-3/4" Backset  
Spring Latch

**PLHVDL234**  
GRADE 1

2-3/4" Backset  
Dead Latch

## Round Corner Latches\*

PLSVDL23826D-1RD	2-3/8" Backset, dead latching, G2, 1" faceplate, RC.
PLSVSL23826D-1RD	2-3/8" Backset, spring latching, G2, 1" faceplate, RC
PLSVDL23426DRD	2-3/4" backset, dead latching, G2, RC
PLSVSL23426DRD	2-3/4" backset, spring latching, G2, RC
PECL26DRD	Adjustable backset, spring latching, G3, 1" faceplate, RC

### Stocked Product

Item	Finish
PLHV latches	10B,26D
PLSV latches	US3,10B,26D
Faceplate	Standard 1-1/8" x 2-1/4"
Optional Faceplate	1" x 2-1/4" stocked for LSV (DL and SL) In 2-3/4" and 2-3/8" BS PLEASE SPECIFY comes with 1-1/8" Adapter Filler

\*Round Corner Latches also in stock

## Strikes and Accessories



**PLKASA**

4-7/8" x 1-1/4"  
ASA



**PLKT**

2-3/4" x 1-1/4"  
"T" Strike



**PLKFL**

2-1/4" x 1-1/4"  
Full Lip Strike



**PLSVEXT5**

Extension for Backset

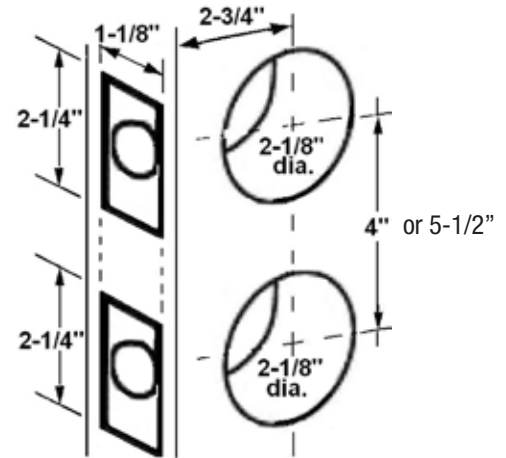
### Stocked Product

Item	Finish
Strikes	US3, 10B, 26D



# Doormerica

## ASIL Adjustable - Simultaneous Retraction Interconnected Grade 2 Locks



### Features:

- LEVER -Saturn (SAT) Style with 4 -1/2" Length and Returns 1/2" from Door Face.
- ESCUTCHEON -6-7/8" x 2-5/8" Brass Interconnecting Plate
- LATCHBOLT -2-3/4" Backset, UL 3 Hour Fire Listed with 1/2" Throw. (2-3/8" Backset Optional) (SOLD SEPERATELY)
- DEADBOLT -2-3/4" Backset, 1" Throw Brass with Hardened Steel Pins.  
DEADBOLT ADJ. 2-3/8 -2 3/4
- PLKT -TLockset Strikes & 2-3/4 x 1-1/8" Latch Strike.
- PDBS -Deadbolt Strikes & 2-3/4 x 1-1/8" Deadbolt Strike.
- Schlage "C" 6 Pin Keyway.
- ASIL CTC 4" or 5-1/2"



### CODE COMPLIANCE:

- ANSI A156.12 Grade 2. UL10C and UBC 7.2 for positive pressure.
- ANSIA 117.1 and ADA for barrier-free accessibility.
- C-UBC -California Amended Uniform Builders Code-2001.
- NFPA-80-National Fire Protection Association 1999.
- NFPA101 National Fire Protection Association Life Safety -2000

### LIMITED LIFETIME WARRANTY

### Functions:

- SIL10 -Single Locking  
Deadbolt thrown or retracted by dead bolt key or inside thumb turn. Outside lever always retracts latch. Inside lever simultaneously retracts deadbolt and latch for immediate egress.
- SIL53 -Double Locking Deadbolt may be thrown or retracted by outside key or inside thumb turn. The lever may be locked or unlocked by key or rotating inside turn button. Turning inside lever always simultaneously retracts both deadbolt and latch for immediate egress.

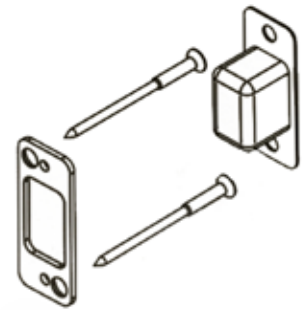
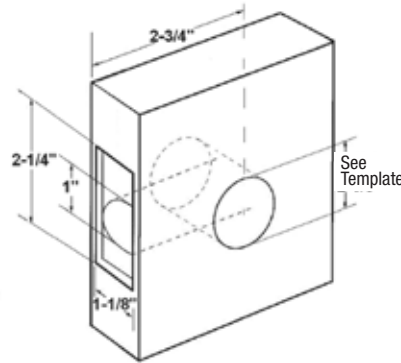
### Stocked Product

Item	Lever	Finish
ASIL10	Saturn	10B, 26D
ASIL10	Sparta	10B, 26D
ASIL53	Saturn	10B, 26D
ASIL53	Sparta	10B, 26D



# Doormerica

## 700 Series - Standard Duty Commercial Deadbolt - Grade 2



**Wood Door Frame Reinforcer**  
(Concealed under strike/deeply anchored to jamb with 2 3" screws)

### Features:

- Tested to exceed 150,000 operational cycles ANSI Grade 2 requirements for durability.
- 3" steel screws provide the added strength to prevent against break-in attacks for Wood Door. (Exclusive concealed wood frame reinforcer protects wood jambs from kick-in attacks.)
- 1" throw, high-strength deadbolt with hardened steel roller resists sawing and kick-in attacks.
- Standard dust box includes additional space inside strike box for true deadlatch. Provides deep anchoring and added strength.
- Concealed screws on double cylinder deadbolts for enhanced security and safety.

### Specifications:

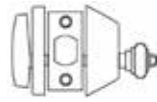
- Handing Non-handed
- Door Thickness 1-3/8" - 1-3/4"
- Backset 2-3/4" standard, 2-3/8" optional
- Faceplate 1-1/8" x 2-1/4" standard
- Dead bolt 1" throw with saw resistant hardened steel roller inserted
- Strike 1-1/8" x 2-3/4" metal and wood strikes with strike reinforcement supplied standard
- Cylinder 5 & 6 pin solid brass "Schlage C" keyway standard with two brass keys per lock
- Keyways Available for all keyways of most major manufacturers / Available with factory lead time.

### Options:

- SFIC (small format) interchangeable core and high security cylinders
- Compatible 6 or 7 pin cores with Best style
- Master keying, Grand master keying and construction keying
- 2-3/8" backset
- DBADJ Adjustable deadbolt only (1" face plate, not UL listed)
- 2-3/8"-2-3/4" ADJ backset, with round corners and 1" face plate (PDBULADJ26D-1RD)
- 2-3/8"-2-3/4" ADJ backset, with 1" face plate (PDBULADJ26D-1)

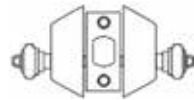
### Functions:

DB751 Single Cylinder



- Deadbolt thrown or retracted by key from outside or by turning inside turn.
- Bolt automatically deadlocks when fully thrown.

DB760 Double Cylinder



- Deadbolt thrown or retracted by key from either side.
- Bolt automatically deadlocks when fully thrown.

DB780 - Door Bolt



- Deadbolt thrown or retracted by turn only.
- **No through holes in door. Designed for half door preparation.**
- **Half bore is 1-5/8" (Do not bore through)**

### CODE COMPLIANCE:

Meets ADA Requirements specifically designed for Barrier Free Application  
 ANSI/BHMA A 156.5 Series 4000, Grade 2 strength and operational requirements  
 UL listed to USA and Canadian safety standards listed for 3 hour doors  
 Meets UL 10C and UBC 7-2 (1997) Positive Pressure



### LIMITED LIFETIME WARRANTY

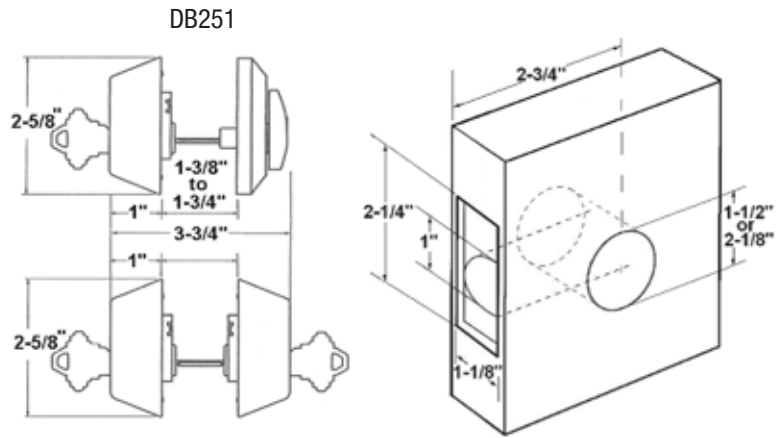
#### Stocked Product

Item	Finish
DB751	US3, 10B, 15, 26, 26D, 32D
DB751 IC less core	10B, 26, 26D
DB760 (DBL CYL)	US3, 10B, 15, 26, 26D, 32D
DB760 (DBL CYL) IC less core	10B, 26, 26D
DB780	US3, 10B, 26, 26D
DBADJ (Adj. Bolt Only)	US3, 10B, 26D
PDBULADJ26D-1RD	26D
PDBULADJ26D-1	26D



# Doormerica

## 200 Series - Standard Duty Deadbolts - Grade 3



### Features:

- Deadbolt has Hardened Steel Inserts to Prevent Sawing Through.
- Full 1" Throw Deadbolt.
- Adjustable Backset 2-3/8" or 2-3/4" Steel Bolt.
- PDB-S -2-3/4" x 1-1/8" Deadbolt Strike
- Schlage "C" 6 Pin Keyway Standard.
- Door thickness 1-3/8" -1-3/4"
- 1/4" Heavy Duty Gauge Thru Bolts.

### Options:

- IC -Small format Interchangeable Core available. Core NOT included.
- DBADJ Adjustable Deadbolt Only (1" face plate, not UL listed)
- 2-3/8"-2-3/4" ADJ backset, with round corners and 1" face plate (PDBULADJ26D-1RD)
- 2-3/8"-2-3/4" ADJ backset, with 1" face plate (PDBULADJ26D-1)

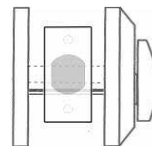
### Functions:

#### DB280 - Door Bolt



- Deadbolt thrown or retracted by turn only.
- No through holes in door. Designed for half door preparation.
- Half bore is 1-5/8" (Do not bore through)

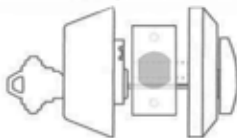
#### DB290 - Bolt & Plate



- Deadbolt thrown or retracted by turn only.
- Outside plate covers and mounts over standard deadbolt door Preparation.

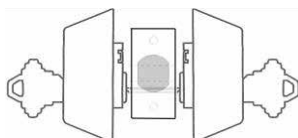
### Functions:

#### DB251 - Single Cylinder



- Deadbolt thrown or retracted by key from outside or by turning inside turn.
- Bolt automatically deadlocks when fully thrown.

#### DB260 - Double Cylinder



- Deadbolt thrown or retracted by key from either side.
- Bolt automatically deadlocks when fully thrown.

### 1 YEAR LIMITED WARRANTY

#### Stocked Product

Item	Finish
DB251	US3,10B,26D,32D
DB251 IC less core	26D,32D
DB260 (DBL CYL)	32D
DB280	US3,10B,26,32D
DB290	US3,10B,32D
DBADJ (ADJ. BOLT ONLY)	US3, 10B, 26D
PDBULADJ26D-1RD	26D
PDBULADJ26D-1	26D

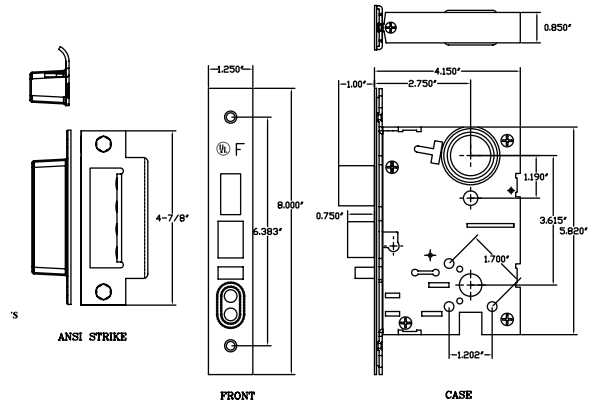


## Doormerica

### Heavy Duty Commercial Mortise Locks

#### Features:

- Non Handed
- Stock 6 pin Schlage "C" keyway
- Door thickness 1-3/4" standard, other thicknesses available when specified
- Backset 2-3/4"
- Lock case Heavy gauge plated steel
- Armored Front Wrought Stainless Steel or brass-adjustable angle and attached by screws to the lock case front
- Dead bolt 1" throw, Stainless Steel with hardened anti-saw pins
- Latch bolt Stainless Steel latch and anti-friction insert
- Guard bolt Stainless Steel
- Stop works Push buttons- chrome plated brass
- Strike Stainless Steel or brass, 4-7/8" x 1-1/4" curved lip ANSI strike
- Handing Handed, reversible in field
- UL Listings UL listed, 3 hour fire doors, single and pairs
- ANSI Specification Meets all Grade 1 security, operational, dimensional and cycling requirements of ANSI/BHMA A156.13 Series 1000, Lock body conforms to Federal Standard FF-H-106 Type 86/87



#### Specifications:

Mortise Locks – ML series.

All locks or latches are provided with 3 hour listed Stainless Steel dead latch or spring latch. Lock chassis shall be Stainless Steel, steel bar and cold rolled steel case with ball-bearing roller retractors.

**LIMITED LIFETIME WARRANTY**

#### Options:

- Trim: 06, 17, 03, specify "A" for sectional trim
- Finish: Escutcheon US26D, 10B  
Sectional: US26D, 10B, 26

#### CODE COMPLIANCE:



- ANSI A156.13 Series 1000 Grade 1
- Listed UL10C and UBC 7.2 for positive pressure.
- ANSI A117.1 ADA Barrier-free Accessibility
- C-UBC California Uniform Builders Code -2001
- NFPA-80 National Fire Protection -1999
- NFPA-101 National Fire Protection-Life Safety-2000

#### Stocked Product

Item	Finish
<b>03 Lever, Sectional</b> CML901003A, CML904003A, CML905003A, CML907003A, CML908003A, CML945303A	26D
<b>06 Lever, Sectional</b> CML901006A, CML904006A, CML905006A, CML907006A, CML908006A, CML945306A	10B, 26D, 26
<b>17 lever, Sectional</b> CML901017A, CML904017A, CML905017A, CML907017A, CML908017A, CML945317A	10B, 26D, 26
<b>06 Lever, Escutcheon</b> CML901006L, CML904006L, CML905006L, CML907006L, CML908006L, CML945306L	10B, 26D



# Doormerica

## Heavy Duty Commercial Mortise Locks



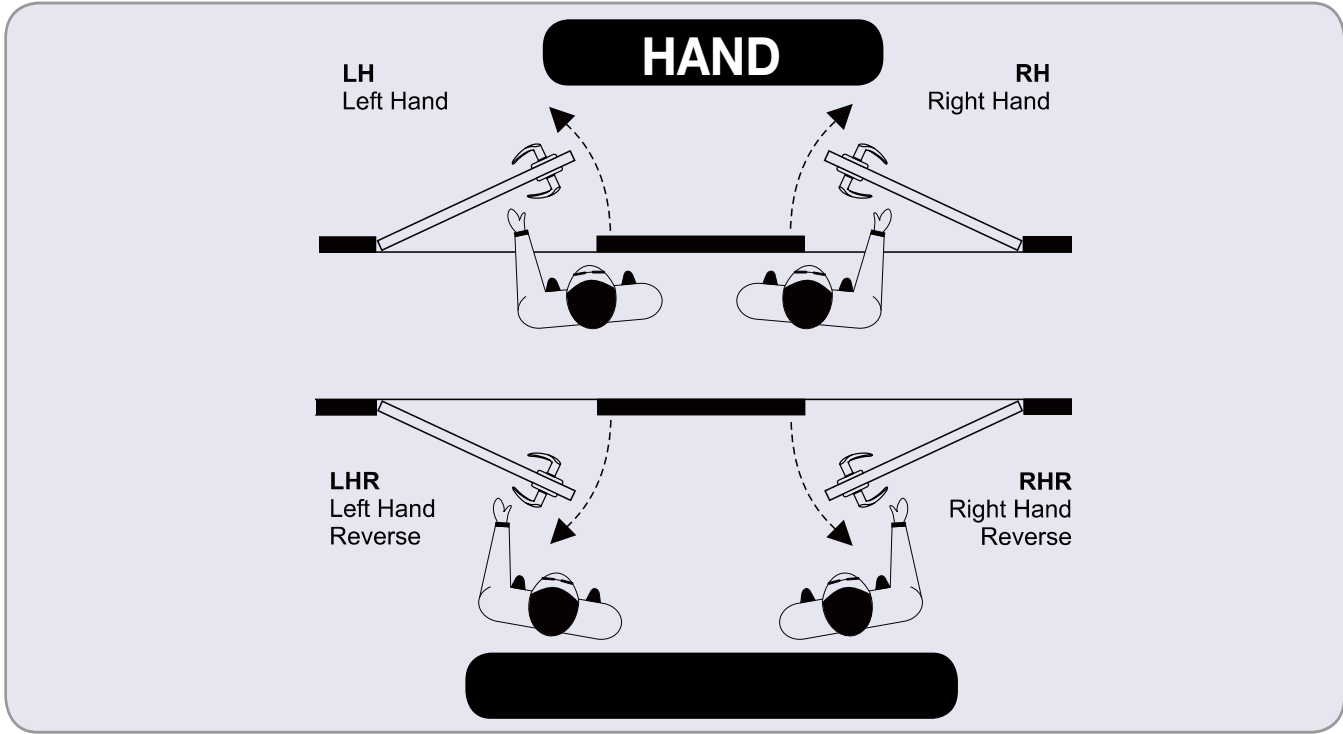
For Sectional trim specify "A"

PICTURE	SERIES	FUNCTION	ANSI NUMBER	FUNCTION DESCRIPTION
	ML9010	Passage or Closet	F01	Latch bolt operated by lever from either side at all times.
	ML9040	Privacy or Bathroom	F19	Latch bolt operated by lever from either side. Dead bolt operated by turn from inside and emergency release from outside. Operating inside lever retracts both bolts.
	ML9050	Entry/ Office	F04	Latch bolt operated by lever from either side, except when outside lever is made inoperative by a stop or mechanical means other than key. When outside lever is locked, latch bolt is retracted by key from outside or by operating inside lever. ***Auxiliary dead bolt latch.
	ML9070	Classroom	F05	Latch bolt operated by lever from either side, except when outside lever is locked from outside by key or push button mechanism. When outside lever is locked, latch bolt may be retracted by key, or by operating key or push button mechanism and outside lever from outside or by operating inside lever. ***Auxiliary dead bolt latch.
	ML9080	Storeroom or Closet	F07	Latch bolt operated by key from outside or by rotating inside lever. Outside lever is always inoperative. ***Auxiliary dead bolt latch.
	ML9453	Entranca/ Apartment/ Dormitory	F20	Latch bolt operated by lever from either side, except when outside lever is made inoperative by push button rocker. Dead bolt projected by key from outside and by thumb turn from inside. Key outside operates both bolts. Operating inside lever retracts both bolts and outside remains locked. Latch bolt is deadlocked when outside lever is made inoperative or when the dead bolt is projected. When dead bolt is retracted, lever is unlocked by stop or mechanical means other than key.



# Doormerica

## Handing Chart







# Doormerica

## EDR701 / EDFR701 - Heavy Duty Grade 1 Rim Exit Device



### Features:

- Chassis mounted unit construction.
- Minimum style 4-1/2".
- Standard door thickness 1-3/4".
- For all doors up to 36".
- Universal design retrofits on Von Duprin 99 series & Sargent 88 Series.
- Material: Cover, and cap and rail are made of brass, bronze or Stainless Steel.
- 161 ANSI cutout.
- Mounting: Furnished with wood & machine screws. Thru bolts, standard on fire rated devices.
- Non Handed.
- Latch Bolt: Stainless Steel 3/4"

### Dimensions:

Touchbar	Height to finish floor ....	41" at center
Touchbar	Projection	
	Neutral .....	2-1/2"
	Depressed .....	1-3/4"
Center case	.....	8-1/2" x 2-1/2" x 2"
Device Length	Standard .....	2'2" - 3'
	Long (L).....	2'9" - 4'

### Options:

- Stocked 48" length, specify "L"
- Available different functions. Lever escutcheon trims are Grade 1 construction with clutch free wheeling mechanism. Covers 161 cutout, see page 11.
- ALRMKIT700 Alarm Kit available for 3' & 4' applications.
- Glass Bead Kits available.

### Specifications:

- All exit devices shall be of touch bar design with smooth operation and be operative over 2/3 of the door's clear opening width.
- All exit devices must be listed under "Panic Hardware" in the Accident Equipment List of Underwriter's Laboratories, Inc. Where labeled doors are used as exits, they must be equipped with labeled Fire Exit Hardware and UL 10C, UBC 7-2-1997 codes.
- All exit devices shall be of chassis mounted unit construction.



### CODE COMPLIANCE:

- ANSI A165.3, Grade 1
- UL listed for Panic and UL 10C, UBC 7-2-1997 codes.
- UL listed for Fire Exit Hardware. 3 Hours.
- (A) label rating on pairs of doors up to 8'0" x 8'0" swinging in same or opposite directions.

### LIMITED LIFETIME WARRANTY

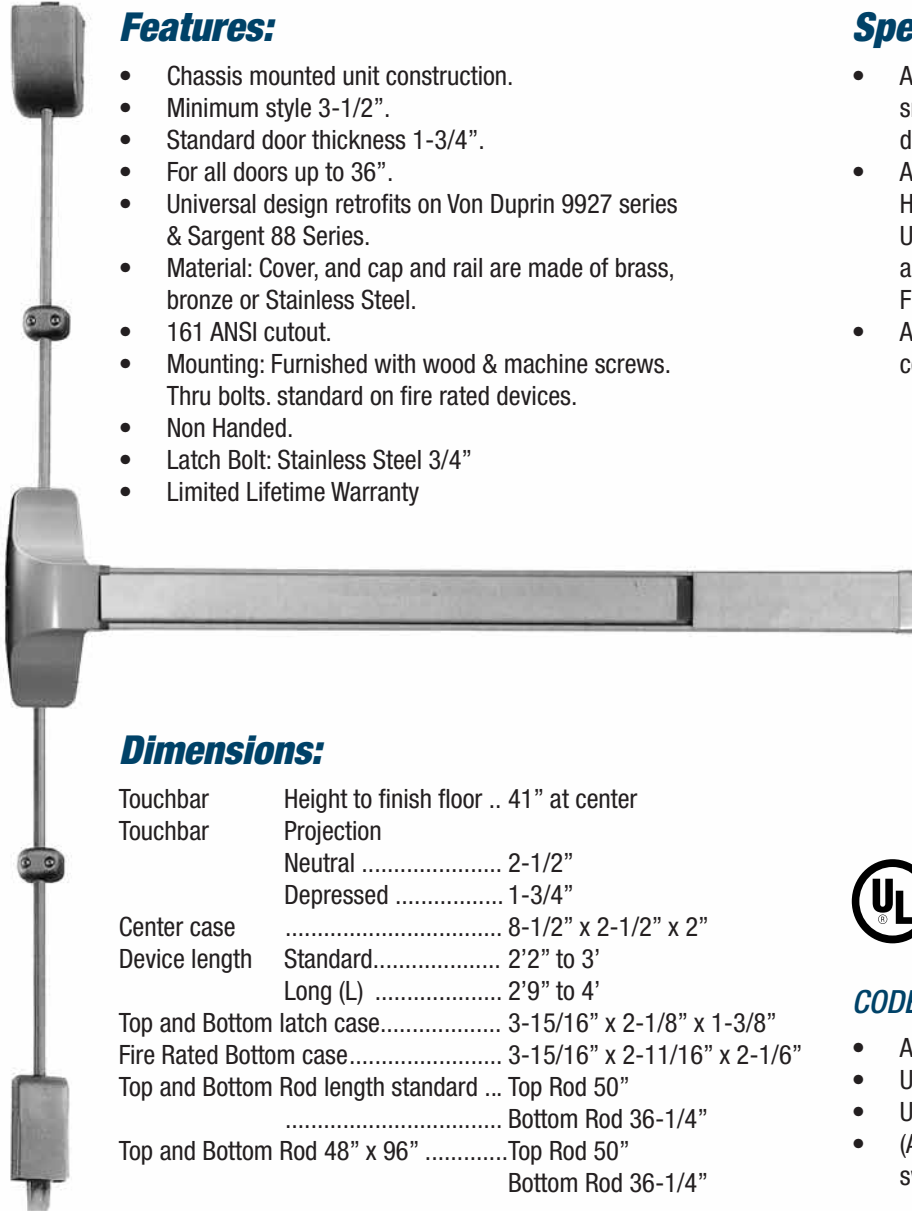
### Stocked Product

Item	Finish
EDR701	10B, 28, 32D 36" & 48" length applications
EDFR701	10B, 28, 32D 36" & 48" length applications



# Doormerica

## EDV701 / EDFV701 - Heavy Duty Grade 1 Vertical Rod Exit Device



### Features:

- Chassis mounted unit construction.
- Minimum style 3-1/2".
- Standard door thickness 1-3/4".
- For all doors up to 36".
- Universal design retrofits on Von Duprin 9927 series & Sargent 88 Series.
- Material: Cover, and cap and rail are made of brass, bronze or Stainless Steel.
- 161 ANSI cutout.
- Mounting: Furnished with wood & machine screws. Thru bolts. standard on fire rated devices.
- Non Handed.
- Latch Bolt: Stainless Steel 3/4"
- Limited Lifetime Warranty

### Specifications:

- All exit devices shall be of touch bar design with smooth operation and be operative over 2/3 of the door's clear opening width.
- All exit devices must be listed under "Panic Hardware" in the Accident Equipment List of Underwriter's Laboratories, Inc. Where labeled doors are used as exits, they must be equipped with labeled Fire Exit Hardware and UL 10C, UBC 7-2-1997 codes.
- All exit devices shall be of chassis mounted unit construction.

### Dimensions:

Touchbar	Height to finish floor .. 41" at center
Touchbar	Projection
	Neutral ..... 2-1/2"
	Depressed ..... 1-3/4"
Center case	..... 8-1/2" x 2-1/2" x 2"
Device length	Standard..... 2'2" to 3'
	Long (L) ..... 2'9" to 4'
Top and Bottom latch case.....	3-15/16" x 2-1/8" x 1-3/8"
Fire Rated Bottom case.....	3-15/16" x 2-11/16" x 2-1/6"
Top and Bottom Rod length standard ... Top Rod 50"	
	..... Bottom Rod 36-1/4"
Top and Bottom Rod 48" x 96" .....	Top Rod 50"
	Bottom Rod 36-1/4"

### Options:

- Stocked 48" x 96" length, specify "L"
- Available different functions. Lever escutcheon trims are Grade 1 construction with clutch free wheeling mechanism.  
Covers 161 cutout.
- Alarm Kit available for 3' & 4' applications.
- Glass Bead Kits available.



### CODE COMPLIANCE:

- ANSI A165.3, Grade 1
- UL listed for Panic and UL 10C, UBC 7-2-1997 codes.
- UL listed for Fire Exit Hardware. 3 Hours.
- (A) label rating on pairs of doors up to 8'0" x 8'0" swinging in same or opposite directions.

### LIMITED LIFETIME WARRANTY

### Stocked Product

Item	Finish
EDV701	10B, 28, 32D 36"x 96", 48" x 96"
EDFV701	10B, 28, 32D 36"x 96", 48" x 96"



# Doormerica

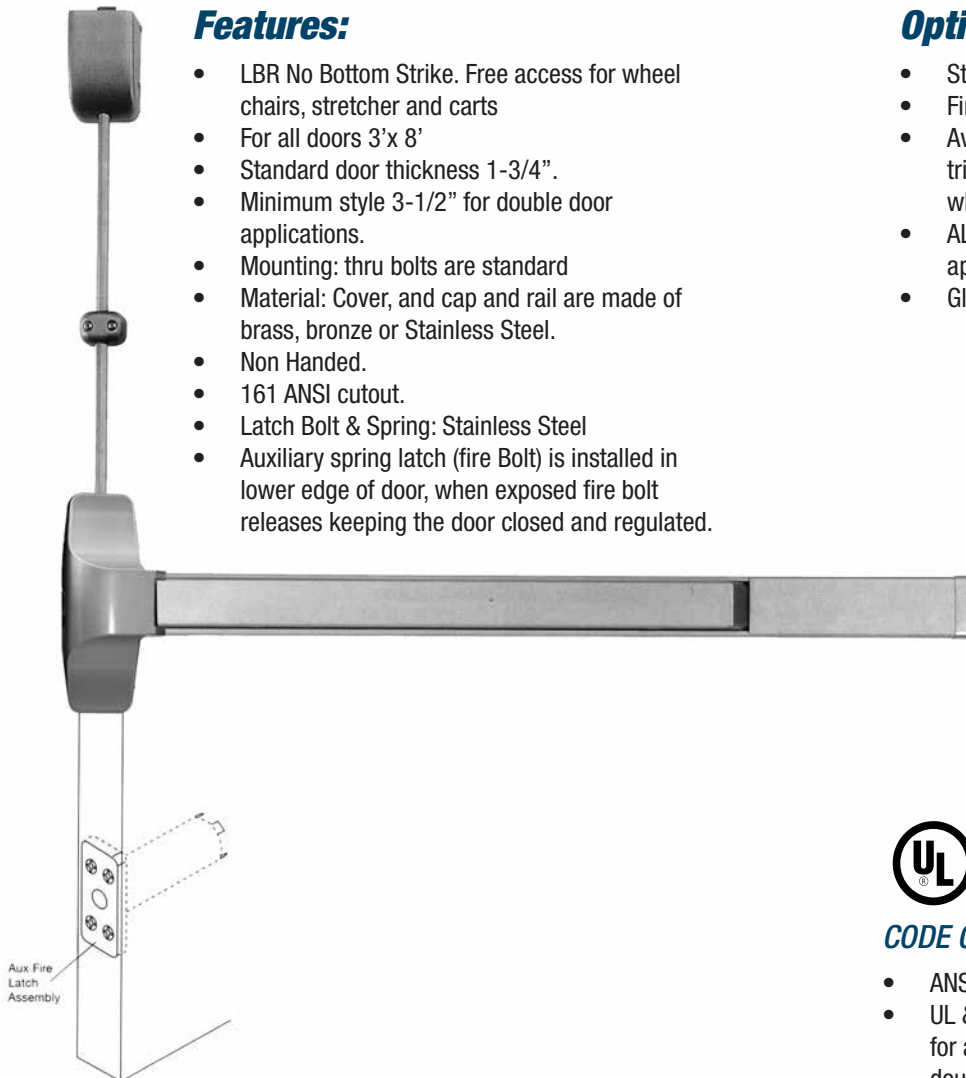
## EDFV701 x LBR - Heavy Duty Grade 1 Vertical Rod Fire Rated - Less Bottom Rod

### Features:

- LBR No Bottom Strike. Free access for wheel chairs, stretcher and carts
- For all doors 3'x 8'
- Standard door thickness 1-3/4".
- Minimum style 3-1/2" for double door applications.
- Mounting: thru bolts are standard
- Material: Cover, and cap and rail are made of brass, bronze or Stainless Steel.
- Non Handed.
- 161 ANSI cutout.
- Latch Bolt & Spring: Stainless Steel
- Auxiliary spring latch (fire Bolt) is installed in lower edge of door, when exposed fire bolt releases keeping the door closed and regulated.

### Options:

- Stocked 48" x 96" length, specify "L"
- Fire bolt separate part number FB385
- Available different functions. Lever escutcheon trims are Grade 1 construction with clutch free wheeling mechanism. Covers 161 cutout.
- ALRMKIT700 Alarm Kit available for 3' & 4' applications.
- Glass Bead Kits available.



### Dimensions:

Touchbar height to finished floor.....	41" at center
Touchbar Projection	
Neutral .....	2-1/2"
Depressed .....	1-3/4"
Center case .....	8-1/2" x 2-1/2" x 2"
Device length Short 3' .....	2'2" to 3'
Long 4' .....	2'9" to 4'
Panic grade top latch case .....	3-15/16" x 2-1/8" x 1-3/8"
Fire grade top latch case .....	3-15/16" x 2-11/16" x 2-1/16"
Top rod length for 36" x 84" doors.....	Top Rod 50"
Top rod length for 48" x 96" doors.....	Top Rod 50"
Vertical rod .....	1/2" Round tubing



### CODE COMPLIANCE:

- ANSI A165.3, Grade 1
- UL & ULC listed. LBR series for fire exit hardware for all types of 8'x 8' double doors including double egress for up to 3 hour metal, H/2 hour wood doors fire labeled installations. Conforms to standard UL 1DC, UBC 7-2-1997 codes.

### LIMITED LIFETIME WARRANTY

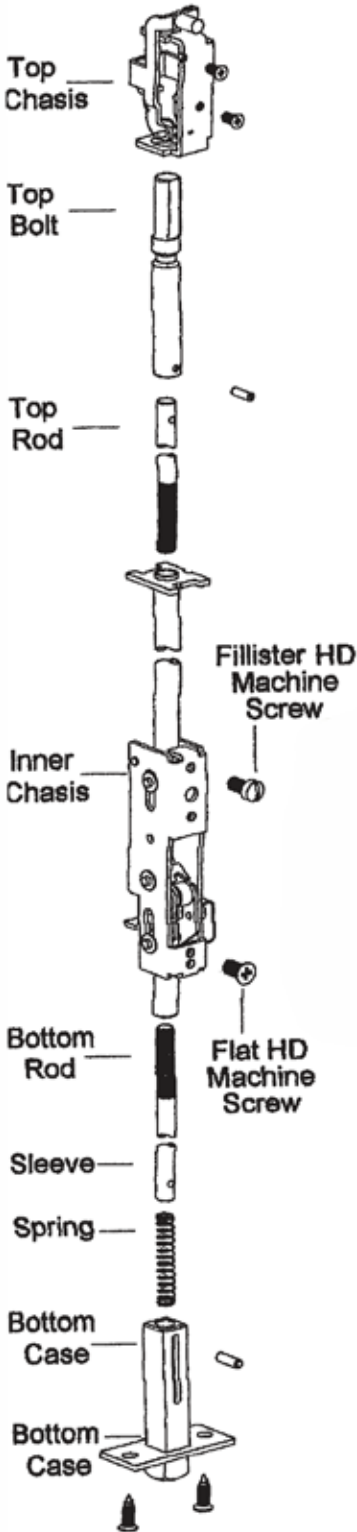
### Stocked Product

Item	Finish
EDFV701 x LBR	10B, 28, 32D
36" x 96", 48" x 96"	



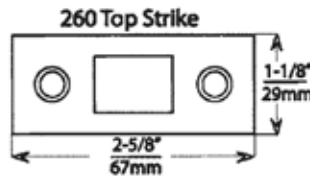
# Doormerica

## EDCVM701 / EDFCVM701 - Heavy Duty Concealed Vertical Rod Exit Device (for metal doors)

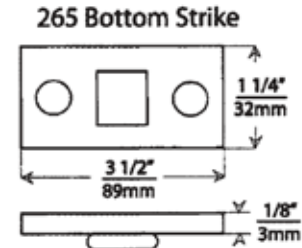


### Specifications:

- For Doors..... Metal. 13/4" (44.5mm) minimum thickness  
4 1/2" (114mm) minimum stile width
- Chassis..... Nonferrous alloy
- Chassis Cover..... Bronze or Stainless Steel
- Mounting..... Furnished standard with machine screws.
- End Cap..... Brass, Bronze or Stainless Steel Construction
- Handing..... Easily field reversible. Specify at time of order LHRB, RHRB for convenience.
- ANSI standard..... A156.3, Grade 1.
- Strike..... 260 top and 265 bottom.
- Top and bottom bolts- Stainless Steel. Top and bottom bolt travel 7/16" (11mm)  
Projection adjustable up to 1(25mm)
- Fire Exit hardware..... EDFCVM701 Series for fire Exit hardware for all types of 8'0" x 8'0"  
Double doors for up to 3 hour fire labeled installations, conforms to standards  
UL10C and UBC 7-2-1997 codes.
- Rail height ..... Specify door opening and mounting height of center line of rail ordering an  
vertical Rod Exit Device 41" from floor.
- Trim..... See trim Designs section
- Door size ..... 36" x 84"    36" x 96"  
48" x 84"    48" x 96"



- ◆ For applications metal frames
- ◆ Stainless Steel



- ◆ Furnished with expansion shields
- ◆ Mortised into floor
- ◆ Stainless Steel



### CODE COMPLIANCE:

- ANSI A 156.3 Grade 1. UL 1 OC and UBC 7.2 for positive pressure.
- ANSIA117.1 and ADA for barrier-free accessibility
- C-UBC -California Uniform Builders Code 2001
- NFPA-80 -National Fire Protection Association 1999
- NFPA101 National Fire Protection -Ufe Safety 2000

### LIFETIME WARRANTY

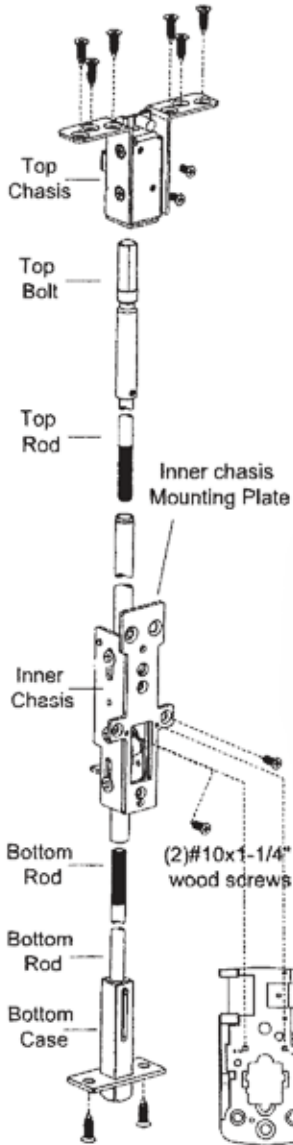
### Stocked Product

Item	Finish
EDCVM701	10B, 32D
36" x 84", 48" x 84", 36" x 96", 48" x 96"	
EDFCVM701	10B, 32D
36" x 84", 48" x 84", 36" x 96", 48" x 96"	



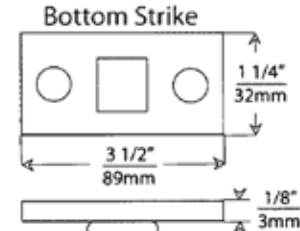
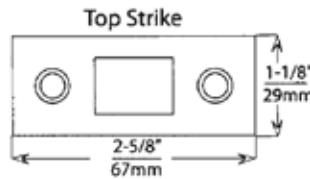
# Doormerica

## EDFCVW701 - Heavy Duty Fire Rated Concealed Vertical Rod Exit Device (for wood doors)



### Specifications:

- For Doors..... Wood. 13/4" (44.5mm) minimum thickness  
4 1/2" (114mm) minimum stile width
- Chassis..... Nonferrous alloy
- Chassis Cover ..... Bronze or Stainless Steel
- Mounting ..... Furnished standard with wood and machine screws.
- End Cap ..... Brass, Bronze or Stainless Steel Construction
- Handing ..... Easily field reversible. Specify at time of order LHRB, RHRB for convenience.
- ANSI standard ..... A156.3, Grade 1.
- Strike ..... 260 top and 265 bottom.
- Top and bottom bolts- Stainless Steel. Top and bottom bolt travel 7/16(11mm)  
Projection adjustable up to 1" (25mm)
- Fire Exit hardware..... EDFCVW701 Series for fire Exit hardware for all types of 8'0" x 8'0"  
Double doors for up to 1-1/2 hour fire labeled installations, conforms to standards  
UL10C and UBC 7-2-1997 codes.
- Rail height ..... Specify door opening and mounting height of center line of rail ordering an  
vertical Rod Exit Device 41" from floor.
- Trim ..... See trim Designs section
- Door size ..... 36" x 84"    36" x 96"  
48" x 84"    48" x 96"



- ◆ For applications metal frames
- ◆ Stainless Steel

- ◆ Furnished with expansion shields
- ◆ Mortised into floor
- ◆ Stainless Steel



### CODE COMPLIANCE:

- ANSI A 156.3 Grade 1. UL 1 OC and UBC 7.2 for positive pressure.
- ANSIA117.1 and ADA for barrier-free accessibility
- C-UBC -California Uniform Builders Code 2001
- NFPA-80 -National Fire Protection Association 1999
- NFPA101 National Fire Protection -Ufe Safety 2000

### LIFETIME WARRANTY

### Stocked Product

Item	Finish
EDFCVW701	10B, 32D
36" x 84", 48" x 84", 36" x 96", 48" x 96"	



# Doormerica

## Escutcheon Lever Design

### Features:

- Grade 1, thrubolted design, clutch freewheeling. Non handed design. Easily field reversible.
- Hardened steel heavy duty tailpiece. Available for fire and non fire rated rim and vertical rod exit devices.
- Keyed functions stock "C" keyway, 1-1/8" mortise cylinder
- Door thickness 1-3/4"
- Escutcheon dimensions: 2-5/16" width x 8-1/2" length, lever 4-3/4". Fits & covers 2-1/8" 161 cutout.
- Escutcheon dimensions for CVR trim: 2-5/16" width x 8-1/2" length.



Trim for CVR

### Functions:

Entry (L)	ETL Key locks and unlocks lever	ANSI 13
Passage (BE)	ETLBE Trim always free operable	ANSI 15
Dummy (DT)	ETLDT Dummy trim, One sided	ANSI 10
Store Room (NL)	ETLNL Key retracts latch bolt otherwise locked	ANSI 04

### Stocked Product

Item	Finish
ETL	10B, 26D
ETLBE	10B, 26D
ETLDT	10B, 26D
ETLNL	10B, 26D
Lever: SATURN and SPARTA	

For Concealed Applications

Item	Finish
ETL06CV	10B, 26D
ETLBE06CV	10B, 26D
ETLDT06CV	10B, 26D
ETLNL06CV	10B, 26D
Lever: SATURN	

## Pull & Thumbpiece Design (for Rim and SVR Devices)



### Dummy

- ETDT Outside by pull only, pull when dogged.
- ANSI Function 02.
- covers 161 cutout.

### Store Room

- ETNL Outside by pull key retracts latchbolt.
- ANSI Function 03.
- covers 161 cutout.

### Entrance

- ETPP Key locks and unlocks thumb piece.
- ANSI Function 13.
- covers 161 cutout.

### Options:

Available with SFIC less core cylinder  
contact sales department

### Stocked Product

Item	Finish
ETDT	10B, 32D
ETNL	10B, 32D
ETPP	10B, 32D

"C" keyway

Cylinder type: ETPP mortise, ETNL rim



# Doormerica

## Glass Bead Shim Kits

- GBKR for rim devices, 1/8" thick
- GBKV for vertical rod devices, 1/8" thick
- GBKVF for fire rated devices, 1/8" thick

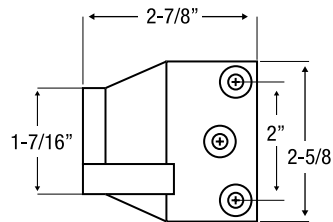
Note: When exit devices use both trim and shim kits then spindle length on thumb pieces and thru bolts must be increased accordingly

### Stocked Product

Item	Finish
GBKR	ZN
GBKV	ZN
GBKVF	ZN

## 254ZN Overlapping Strike

- Surface applied. Used on inactive leaf for device on active leaf of pair of doors without mullion.



### Stocked Product

Zinc Dichromate Finish ZN

## FB385 Firebolt



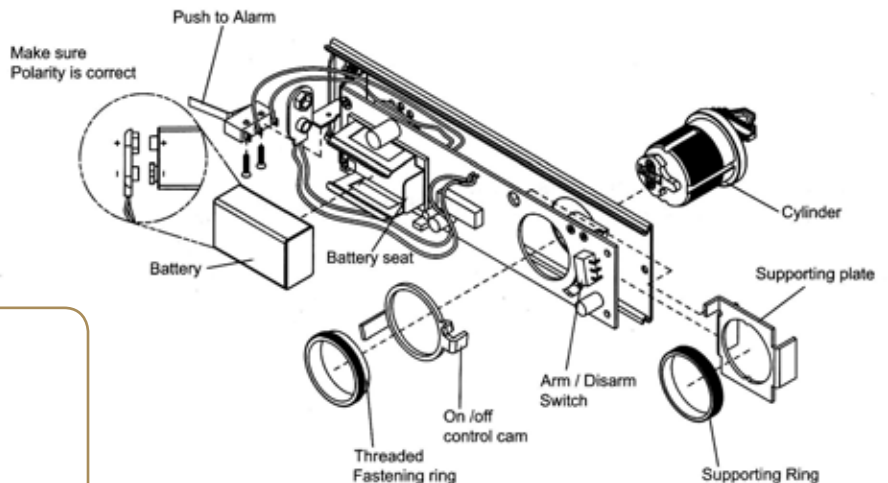
### Stocked Product

Item	Finish
FB385	32D

## Exit Alarm Kit

Specify ALARM KIT

- Used with 700 series exit devices
- Length 3' door  
Specify "L" for 4' door
- Type: Rim or vertical rod
- Key "C" keyway furnished



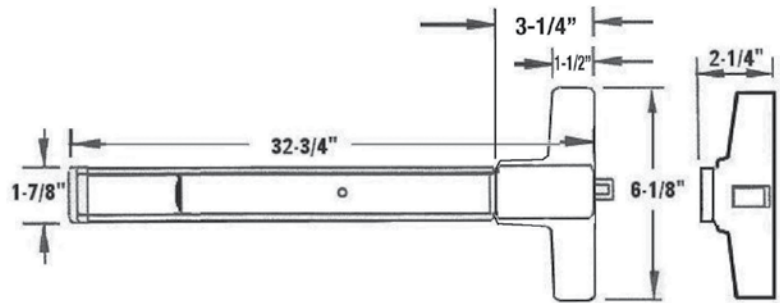
### Stocked Product

Item	Finish
ALMRKIT700 (FOR 36" DEVICE)	10B, 28
ALMRKIT700L (FOR 48" DEVICE)	10B, 28



# Doormerica

## ED501 / EDF501 - Standard Duty Commercial Rim Exit Device



### Features:

- Deadlatching and Non-Handed.
- Dogging Standard Only on NON-UL listed Device.
- Baked Enamel Aluminum (AL) and Duronodic (DU) Finish.
- For all doors up to 36".
- PEDPS01 & PEDSS01 -Standard Strike and Shim.
- PEDFP161 & PEDFP-ANSI -Latch & Strike Filler Plate.
- PEDSNB -Standard with Sex Bolts.
- EDF501 -UL Listed for Fire and Egress -Listed for 1-1/2 Hour for Doors Under 38" (3'-2") x 86" (7'-2").



### CODE COMPLIANCE:

- ANSI A 156.3 Grade 2. UL 1 OC and UBC 7.2 for positive pressure.
- ANSIA117.1 and ADA for barrier-free accessibility
- C-UBC -California Amended Uniform Builders Code -2001
- NFPA-80 -National Fire Protection Association 1999
- NFPA-101 National Fire Protection AssociationLife Safety -2000

### Options:

- Stocked 48" length, specify "L" (for non rated device)
- EDS551 -Exit Device made from Stainless Steel.
- ALRMKIT500 -Alarm Kit. Mortise Cylinder NOT Included
- ETLHL500 -Entry Function -Lever -161 Cylindrical Prep.
- ETLHL580 -Storeroom Function -Lever -161 Cylindrical Prep.
- ETPP05 -Pull Plate with Cylinder cut-out, Rim Cylinder NOT Included.
- ETPP06 -Pull Plate Only.

### 1 YEAR LIMITED WARRANTY

### Stocked Product

Item	Finish
ED501 (36" & 48")	Aluminum, Duro
EDF501	Aluminum, Duro
EDS551	Stainless Steel



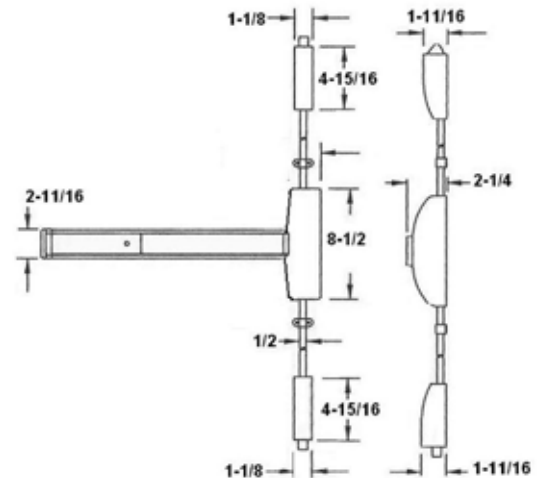


# Doormerica

## EDVR531 / EDFVR531 - Standard Duty Commercial Surface Vertical Rod Exit Device

### Features:

- Deadlatching and Non-Handed. Dogging Standard Only on NON-UL listed Device.
- Interlocking Top and Pullman Bottom Latch.
- Baked Enamel Aluminum (AL) and Duronodic (DU) Finish.
- PEDPS03 & PEDPS11 -Standard Top & Bottom Strike.
- PEDFP161 & PEDFP-ANSI -Latch & Strike Filler Plate.
- PEDSNB -Standard with Sex Bolts.
- For all doors up to 36" (3') x 84" (7').
- EDFVR531 -UL Listed for Fire and Egress
- -Listed for 1-1/2 Hour Fire doors under 38" (3'2") x 86" (7'2")



### Options:

- ALRMKIT500 -Alarm Kit. Cylinder NOT Included, See Cylinder Section.
- ETLHL500 -Entry Function Lever #161 cylindrical preparation.
- ETLHL580 -Storeroom Function Lever #161 cylindrical Prep.
- ETPP05 Pull Plate with Cylinder cut-out, Rim Cylinder NOT Included.
- ETPP06 -Pull Plate Only.



### CODE COMPLIANCE:

ANSI A 156.3 Grade 2. UL 1 OC and UBC 7.2 for positive pressure.  
 ANSIA117.1 and ADA for barrier-free accessibility  
 C-UBC -California Uniform Builders Code 2001  
 NFPA-80 -National Fire Protection Association 1999  
 NFPA101 National Fire Protection -Ufe Safety 2000

### 1 YEAR LIMITED WARRANTY

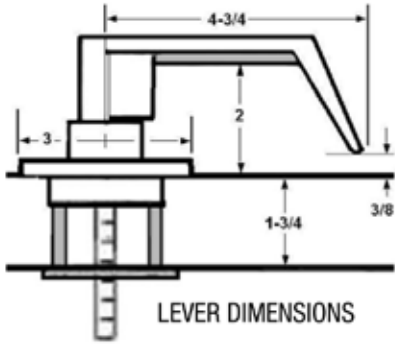
### Stocked Product

Item	Finish
EDVR531	Alumnnium and Duro
EDFVR531	Alumnnium and Duro



# Doormerica

## Exit Device Trim

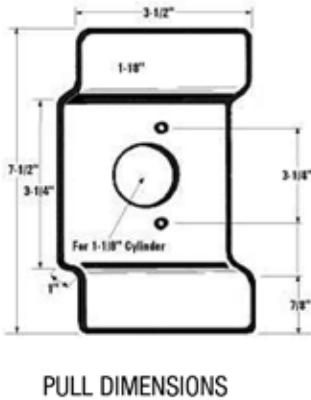


- ETLHL500** - ENTRY FUNCTION
- ETLHL510** - PASSAGE LEVER TRIM
- ETLHL580** - STOREROOM LEVER TRIM

### Stocked Product

Item	Finish
ETLHL500	10B, 26D
ETLHL510	10B, 26D
ETLHL580	10B, 26D

## Pull Trim



**ETPP05**  
RIM CYLINDER  
NOT INCLUDED



**ETPP06**

## Accessories



**PEDMP161**  
ANSI 161 2-1/8" BORE  
TRIM MOUNTING PLATE



**ALRMKIT500 - ALARM KIT**  
USED WITH 500 SERIES EXIT DEVICES  
1-1/8" MORTISE CYLINDER  
NOT INCLUDED



**PED531EXT**  
OPTIONAL 12" VERTICAL  
ROD EXTENSION  
(500 SERIES ONLY)



**PEDBPVR**  
BACK PLATE FOR USE WITH  
VERTICAL ROD TRIM

### Stocked Product

Item	Finish
ALRMKIT500	Aluminum, Duro
ETPP05/ETPP06	Aluminum, Duro
PED531EXT	Aluminum, Duro
PEDBPVR	Aluminum
PEDMP161	Non-Finished



# Doormerica

## Mullion 7100 - For use with Non-Rated Rim Exit Devices on non-rated pairs of doors

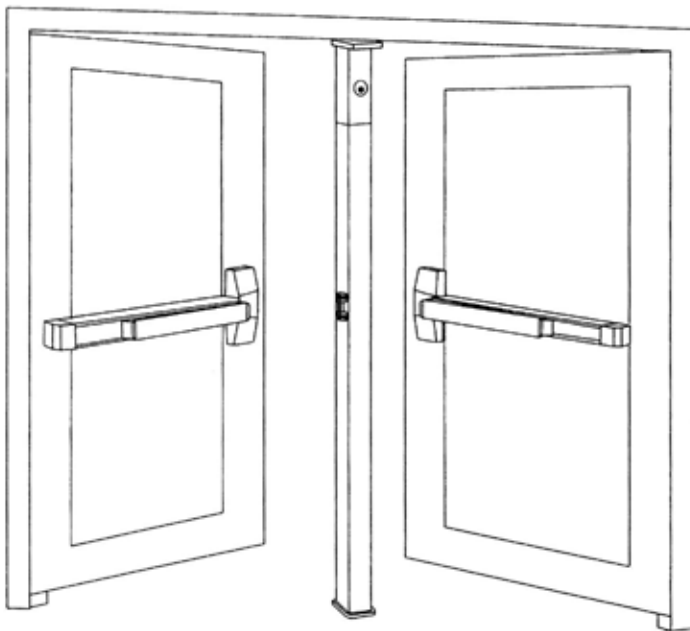
### Specifications:

- Mullion Size ..... 2" x 3" x 96" Steel Tube. Mullion may be field cut to fit proper size.
- Rim Cylinder ..... Use 1-1/4" Rim Cylinder, cylinder not included. 1/2" spacer required. Not included.
- Top Bracket ..... Steel, using key allows the mullion to be removed in seconds.  
Mullion can be locked in top bracket easily without using the key.
- Bottom Bracket..... Steel, fixed by 4 hex bolts with Stainless Steel anchors.
- Strike..... Use two standard Rim Strikes, not included
- Finish..... Gray baked powder coating only

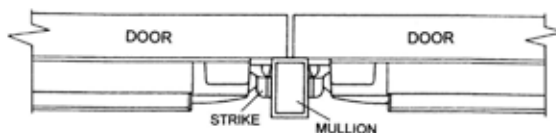
## Mullion 7100F - For use with Fire-Rated Rim Exit Devices on fire-rated pairs of doors

### Specifications:

- Mullion Size ..... 2" x 3" x 96" Steel Tube. Mullion may be field cut to fit proper size.
- Rim Cylinder ..... Use 1-1/4" Rim Cylinder, cylinder not included. 1/2" spacer required. Not included.
- Top Bracket ..... Stainless Steel, using key allows the mullion to be removed in seconds.  
Mullion can be locked in top bracket easily without using the key.
- Bottom Bracket..... Stainless Steel, fixed by 4 hex bolts with Stainless Steel anchors.
- Strike..... Use two (2) sets of Mullion Strikes (688) & Strike Hooks (689) - Not Included.
- Finish..... Gray baked powder coating only



The removable Mullion is used for with two Rim Devices on double doors.



FOR USE WITH FIRE-RATED

FOR USE WITH NON-RATED



Top Bracket



Top Bracket



Bottom Bracket



Bottom Bracket



Mullion Strike



Rim Strike



Strike Hook

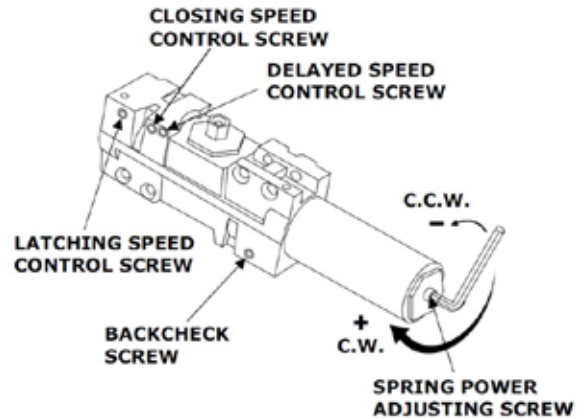
### Stocked Product

Item	Description
MULL7100	Mullion Non-Rated
MULL7100F	Mullion Fire-Rated



# Doormerica

## DC40 / DC40XPBF - Extra Heavy Duty Commercial Door Closer



### Features:

- Same hole pattern as LCN 4040/4041.
- Tri-Pack with regular, parallel and top-jamb mounting, instructions and full size template.
- DC40XPBF also conforms to the minimum opening force requirements of the ADA and ANSI/BHMA Standard A117.1
- Spring adjustment from size BF-6.
- Non handed
- Standard with adjustable sweep, latch and back check.
- Full plastic cover
- SNB -Sex Nuts and Bolts
- Limited Lifetime Warranty
- 4 closers per shipping carton
- Cast iron body



### CODE COMPLIANCE:

- ANSI A156.4 Grade 1. UL10C and UBC 7.2 for positive pressure.
- C-UBC -California Amended Uniform Builders Code -2001
- California State Fire Marshall (CSFM) approved
- ADA compliant

### Options:

- CUSH: Heavy Duty Cush Arm
- DA: Delayed Action
- EDA: Extra Duty Arm
- H: Hold Open Arm
- HCUSH: Hold Open Cush Arm
- HEDA: Hold Open Extra Duty Arm
- SCUSH: Spring Cush Arm
- SHCUSH: Spring Hold Open Cush Arm

### LIMITED LIFETIME WARRANTY

#### Stocked Product

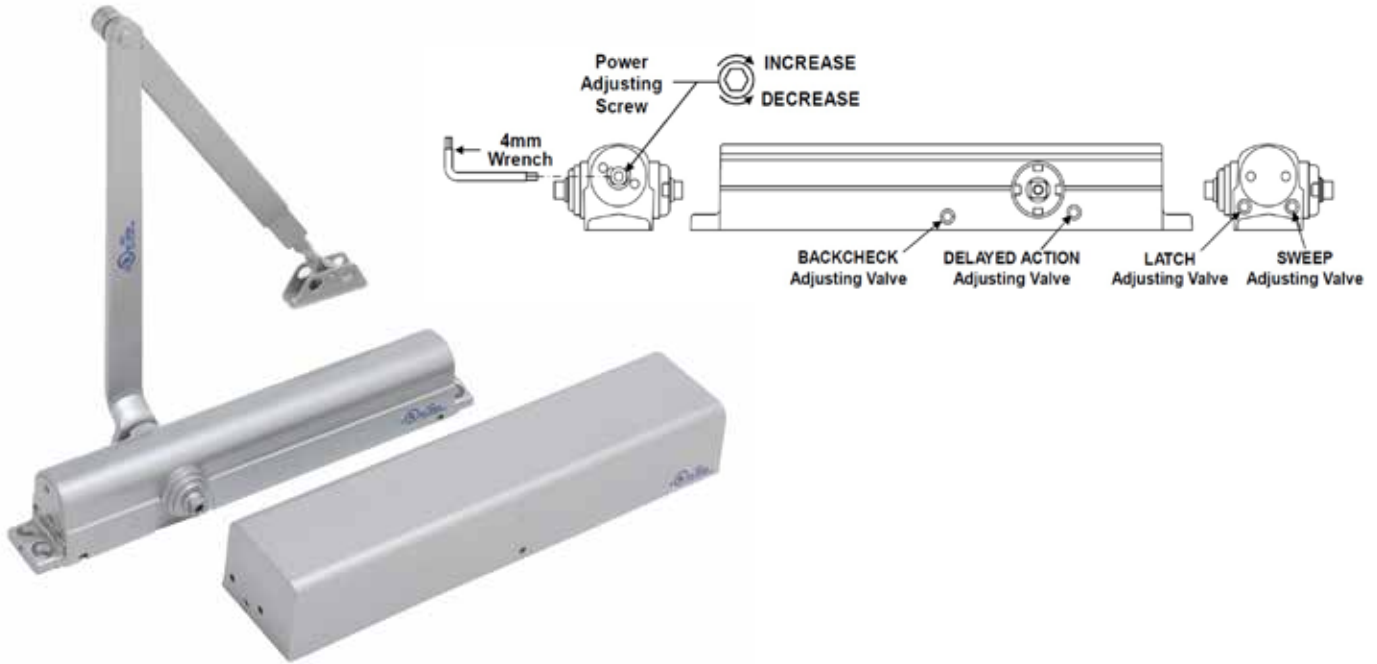
Item	Finish
DC40 Regular Arm	Aluminum, Duro, US3, Gold
DC40XPBF Regular Arm	Aluminum, Duro
Cush Arm	Aluminum, Duro
Delayed Action	Aluminum, Duro
EDA Arm	Aluminum, Duro
H Cush Arm	Aluminum, Duro
H EDA Arm	Aluminum, Duro
Hold Open Arm	Aluminum, Duro
S Cush Arm	Aluminum, Duro
SH Cush Arm	Aluminum, Duro

**CAUTION: Door closer for Low Opening Force Applications:**  
 Door closers installed in openings required to meet the requirements of The Americans with Disabilities Act or ANSI/BHMA Standard A117.1, when adjusted to meet those requirements, may not provide adequate closing power to dependably close and latch the door.



# Doormerica

## DC851 - Heavy Duty Commercial Door Closer



### Features:

- Same hole pattern as Norton 8301/8501.
- Tri-Pack with regular, parallel, and top-jamb mounting, instructions and full size template
- Standard Spring adjustment Size BF-6
- Non handed
- Standard with adjustable sweep, latch, and back check
- Full plastic cover
- SNB: Sex nuts and bolt fasteners

### Options:

- CUSH: Heavy Duty Parallel Mount Cush arm
- DA: Delayed Action
- EDA: Extra Duty Arm
- H: Friction Hold-Open non handed arm
- HCUSH: Hold Open Cush Arm
- HEDA: Hold Open Extra Duty Arm
- SCUSH: Spring Cush Arm
- SHCUSH: Spring Hold Open Cush Arm
- PDC831: Slimline Cover Only

**CAUTION: Door closer for Low Opening Force Applications:**  
*Door closers installed in openings required to meet the requirements of The Americans with Disabilities Act or ANSI/BHMA Standard A117.1, when adjusted to meet those requirements, may not provide adequate closing power to dependably close and latch the door.*



### CODE COMPLIANCE:

- ANSI A156.4 Grade 1 UL1DC and UBC 7.2 for positive pressure.
- ANSI A117.1 and ADA for barrier-free accessibility
- C-UBC -California Uniform Builders Code -2001
- California State Fire Marshall (CSFM) approved.

### LIMITED LIFETIME WARRANTY

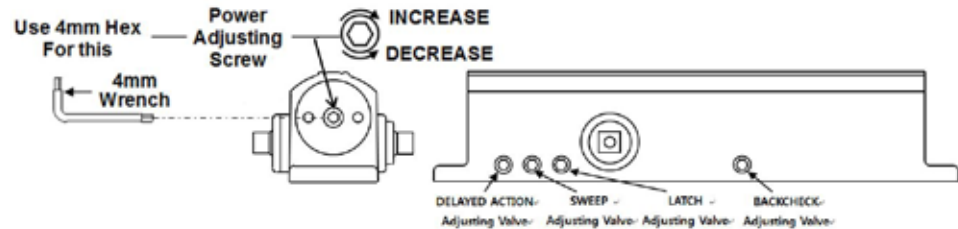
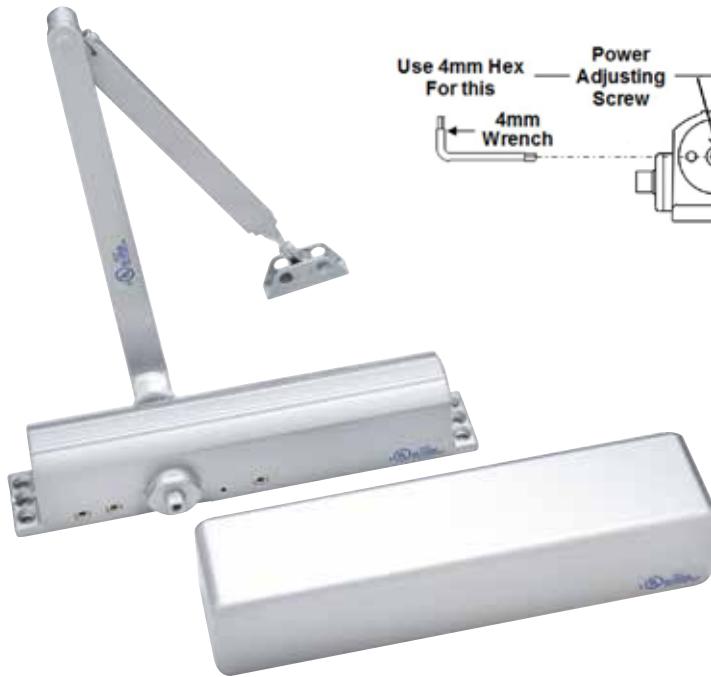
### Stocked Product

Item	Finish
DC851 Regular Arm	Aluminum, Duro
Cush Arm	Aluminum, Duro
Delayed Action	Aluminum, Duro
EDA Arm	Aluminum, Duro
H Cush	Aluminum, Duro
H EDA	Aluminum, Duro
Hold Open Arm	Aluminum, Duro
S Cush	Aluminum, Duro
SH Cush	Aluminum, Duro



# Doormerica

## DC70 / DC70BF - Heavy Duty Commercial Door Closer



### Features:

- Tri-Pack with regular, parallel and top-jamb mounting, instructions and full size template.
- Standard spring adjustment from size 1 to 6
- Non handed
- Standard with adjustable sweep, latch and back check.
- Full plastic cover
- SNB -Sex Nuts and Bolts
- Standard hole pattern and mounting location.
- Limited Lifetime Warranty
- 6 closers per shipping carton

### Options:

- BF: Barrier free spring adjustment from size BF-4.
- CUSH: Heavy Duty Parallel Mount Cush Arm.
- DA: Delay Closing Action.
- H: Friction Hold Open Non-Handed Arm.
- HCUSH: Hold Open Parallel Mount Cush Arm.

**CAUTION: Door closer for Low Opening Force Applications:**  
 Door closers installed in openings required to meet the requirements of The Americans with Disabilities Act or ANSI/BHMA Standard A117.1, when adjusted to meet those requirements, may not provide adequate closing power to dependably close and latch the door.



### CODE COMPLIANCE:

- ANSI A 156.4 Grade 1. UL 1 OC and UBC 7.2 for positive pressure.
- ANSIA 117.1 and ADA for barrier-free accessibility C-UBC -California Amended Uniform Builders Code -2001
- California State Fire Marshall (CSFM) approved

### LIMITED LIFETIME WARRANTY

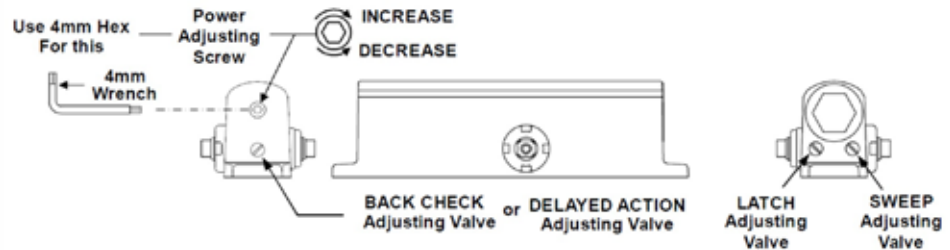
### Stocked Product

Item	Finish
DC70 Regular Arm:	Aluminum, Duro, Gold, US3, US26
BF Spring option:	Aluminum, Duro, Gold
Cush Arm:	Aluminum, Duro
Delayed Action:	Aluminum, Duro
H Cush:	Aluminum, Duro
Hold Open	Aluminum, Duro, Gold



# Doormerica

## DC161 / DC161BF - Standard Duty Commercial Door Closer



### Specifications:

Full rack and pinion type with cast aluminum alloy body. All closers shall be provided with non-critical valves adjustment to independently regulate the sweep, latch and back-check. Closer shall have full spring adjustment from size 1 to size 4 for barrier free (BF) size and size 2 to size 6 for standard size. The closer shall be pre-adjusted at the factory to size 2 for the DC161BF and size 3 for DC161. Closer shall be non-handed with slim line cover with a projection of 3" from the surface of the door. All closers shall be mounted to allow the maximum degree of swing.

### Features:

- Same hole pattern as Norton 1600.
- Tri-Pack with regular, parallel and top-jamb mounting, instructions and full size template.
- Standard spring adjustment from size 2 to 6
- Non handed
- Standard with adjustable sweep, latch and back check.
- Slimline Plastic Cover
- SNB -Sex Nuts and Bolts

### Options:

- BF: Barrier free spring adjustment from size BF-4.
- H: Hold Open Arm

**CAUTION:** Door closer for Low Opening Force Applications: Door closers installed in openings required to meet the requirements of The Americans with Disabilities Act or ANSI/BHMA Standard A117.1, when adjusted to meet those requirements, may not provide adequate closing power to dependably close and latch the door.



### CODE COMPLIANCE:

- ANSI A156.4 Grade 1 UL10C and UBC 7.2 for positive pressure.
- ANSI A117.1 and ADA for barrier-free accessibility
- C-UBC -California Uniform Builders Code -2001
- California State Fire Marshall (CSFM) approved

### 10 YEAR LIMITED WARRANTY

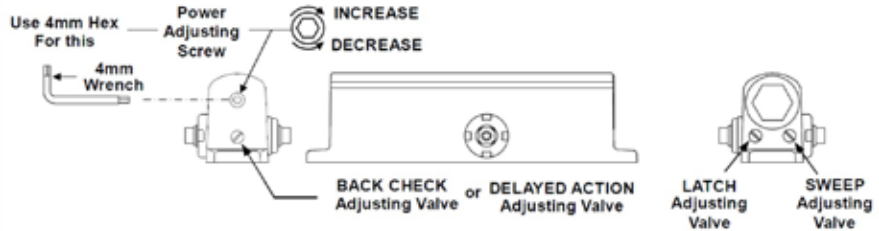
### Stocked Product

Item	Finish
DC161	Aluminum, Duro
DC161BF	Aluminum, Duro
DC161H	Aluminum, Duro



# Doormerica

## DC50 - Standard Duty Commercial Door Closer



### Features:

- 54 series fits Norton 1600 series hole pattern and mounting location
- Tri-Pack with regular, parallel and top-jamb mounting. instructions and full size template.
- Standard Closer Spring Sized to 3, 4 with NO adjustment.
- Non handed
- Standard with adjustable sweep, latch.
- Slim line Plastic Cover
- SNB -Sex Nuts
- 10 year warranty
- 10 closers per shipping carton

### CODE COMPLIANCE:

- ANSI A156.4 Grade 2. UL10C and UBC 7.2 for positive pressure.
- C-UBC -California Amended Uniform Builders Code -2001
- California State Fire Marshall (CSFM) approved
- NOTE: May need to consider other closer if barrier free required. Please discuss with sales associate.

### 10 YEAR LIMITED WARRANTY

### Options:

- BC: Backcheck adjustment valve

### Stocked Product

Item	Finish
DC53	Aluminum, Duro
DC54	Aluminum, Duro
DC54BC	Aluminum, Duro

## Closer Drop Plates

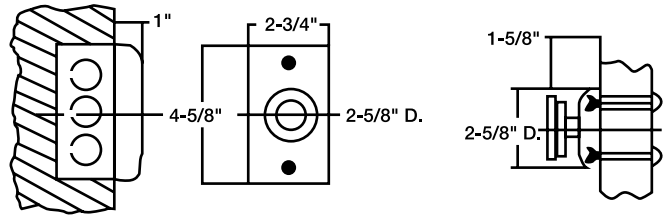
Closer used with	SKU	Description	Finish
DC40	PDC4018	Pull Side (Door Jamb)	AL/DU
DC40	PDC4018G	Push Side (Top Jamb)	AL/DU
DC40	PDC4018PA	Push Side (Door Mount)	AL/DU
DC40	PDC4018TJ	Push Side (Top Jamb)	AL/DU
DC70	PDC7018	DROP PLATE PULL SIDE MOUNT	AL/DU
DC70	PDC7018TJ	DROP PLATE TOP JAMB MOUNT	AL/DU
DC851	PDC8513146	Pull Side (Door Jamb)/Push Side (Top Jamb)	AL/DU
DC851	PDC8513148	Push Side (Top Jamb/Door Mount)	AL/DU
DC851	PDC8513546	Pull Side (Door Jamb)	AL/DU
DC851	PDC8513548	Push Side (Door mount)	AL/DU





# Doormerica

## 2100 Series - Electro Magnetic Door Holder



### Features:

- Multiple voltages standard 24VAC, 24VDC, 120VAC
- Recessed wall mounted fits inside standard single gang electrical box.
- Includes 1/2" extension with product.
- 1/2" and 3/4" extensions available.

### Specifications:

The 2100 Series Electro-magnetic Door Holder is stocked Tri Voltage. It can be wired to 12V DC, 24VAC/DC or 120VAC. Units can be used on fire/smoke barrier doors hold open until released by a remote switching device. They can also be used to just hold a door open. The armature is thru-bolted to the door for security. Extensions available for different projection requirements.

### CODE COMPLIANCE:



Under Writers US and Canada Listed  
California State Fire Marshal Listed  
Meets ANSI 156.15

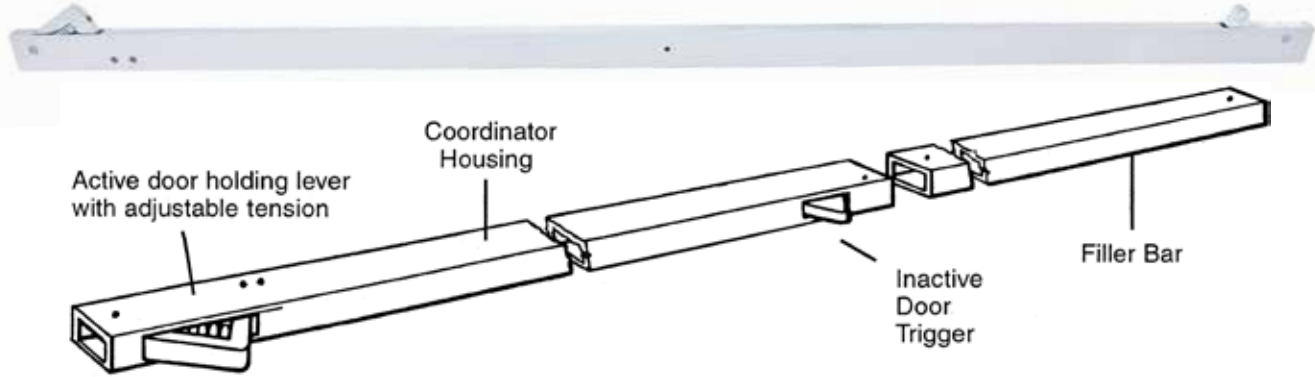
### Stocked Product:

Item	Finish
MH2100	Aluminum, Duro
PMH20050	1/2" AL extension
PMH20075	3/4" AL extension



# Doormerica

## COR 60 / COR 72 / COR 84 - Coordinator and Accessories

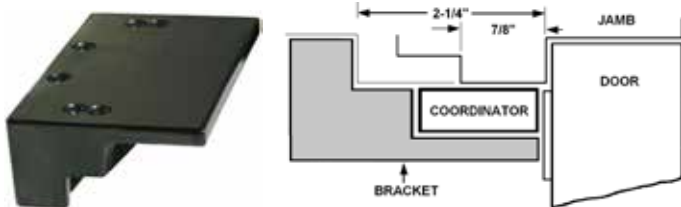


### Features:

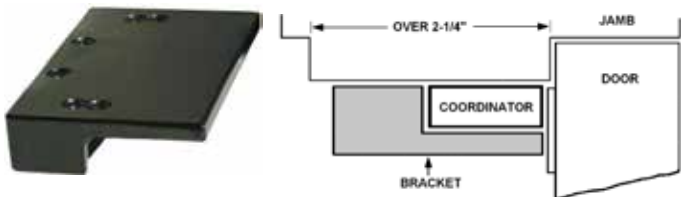
- Extruded Aluminum Housing.
- Adjustable Tension Override Spring.
- Filler Bar provided allowing an even, unbroken line the full width of the opening.
- Mounting Screws #12 x 24 x 1-1/4" MS.
- For use on Fire Rated Openings.

### Options:

	Opening Width	Coordinator Size	Filler Size
COR 60	5'	42"	18"
COR 72	6'	52"	20"
COR 84	7'	52"	32"



PCORMB434 Mounting Bracket (1 step)  
Jamb Depth 4-1/4" Min.  
5/8" Stop Height - For Stop over 2-1/4"



PCORMB414 Mounting Bracket (2 step)  
Jamb Depth 4-3/4" Min.  
5/8" Stop Height - For Stop Width 7/8" to 2-1/4"

### Specifications:

Coordinator – Coordinator shall be by Doormerica model number COR flat bar type and made from extruded Aluminum. Coordinator shall control the closing sequence so the active door is held open until the inactive door closes, triggering the release of the active door allowing for proper latching. Filler bar shall be provided allowing an even, unbroken line the full width of the opening. Optional PCORMB434 or PCORMB414 shall be ordered for each piece of hardware to be mounted over the bar coordinator.



### CODE COMPLIANCE:

- ANSI 156.3 Type 21A.
- Conforms to UL10C and UBC 7-2.
- ANSI A117.1 and ADA for barrier-free accessibility.
- C-UBC - California Uniform Builders Code.
- NFPA 80 - National Fire Protection Association.
- NFPA 101 - National Fire Protection, Life Safety .

### 1 YEAR LIMITED WARRANTY

### Stocked Product

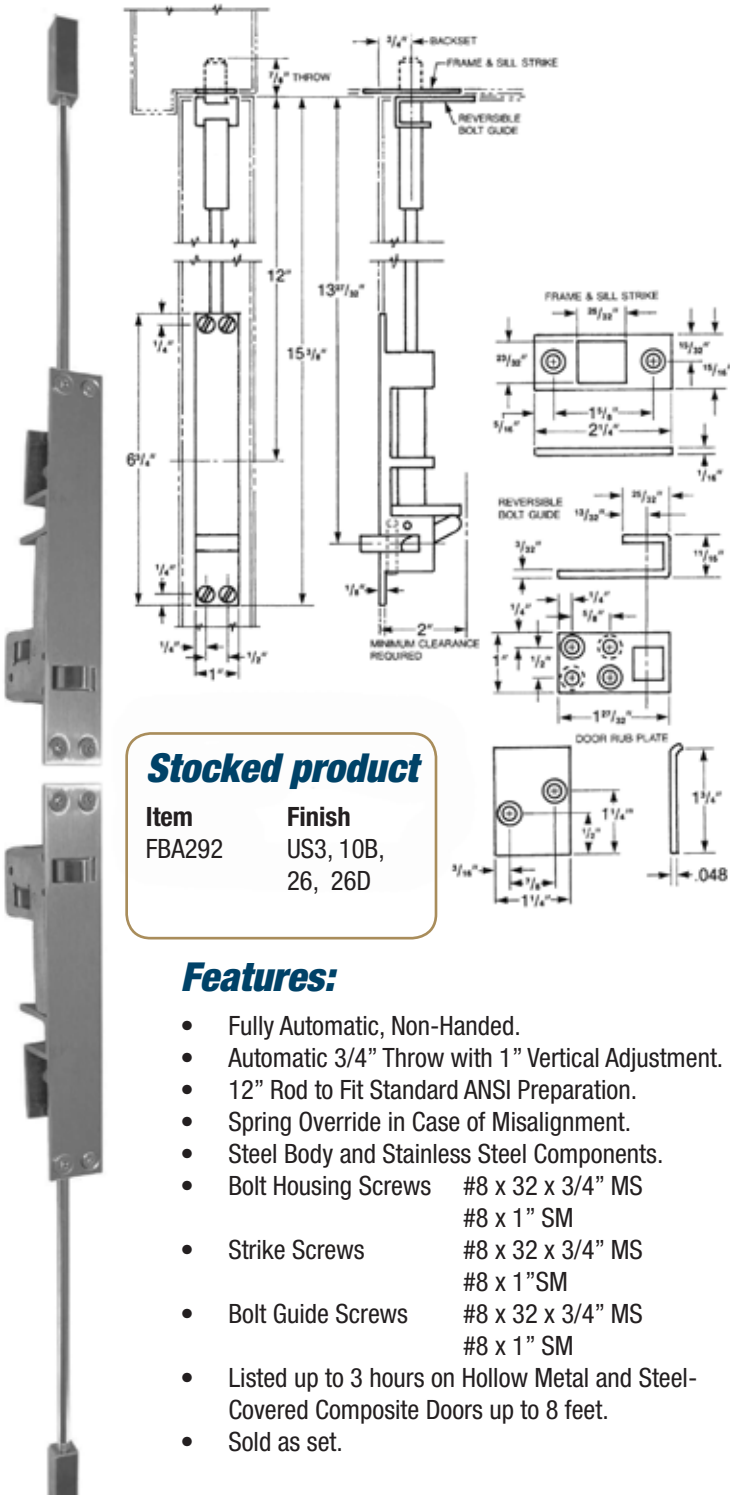
Item	Finish
COR 60	Aluminum
COR 72	Aluminum
COR 84	Aluminum
PCORMB414	Black
PCORMB434	Black



# Doormerica

## FBA292 - Automatic Flush Bolts For Metal Doors

## FBA291 - Automatic Flush Bolts For Wood Doors



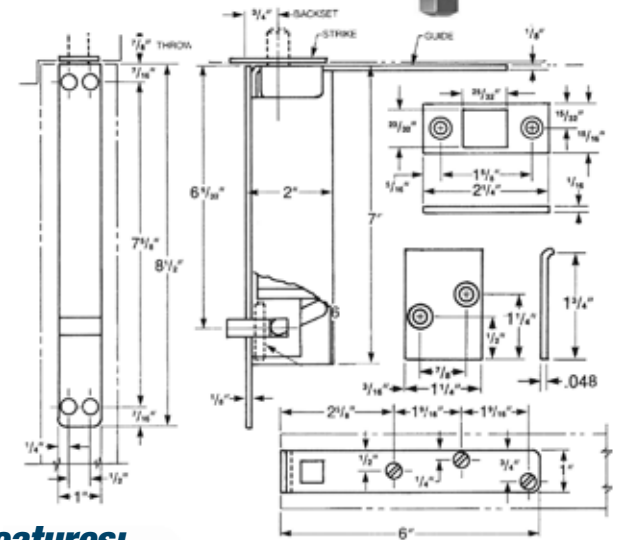
**Stocked product**  
Item FBA291  
Finish US3, 10B, 26, 26D

**Stocked product**  
Item FBA292  
Finish US3, 10B, 26, 26D

### Features:

- Fully Automatic, Non-Handed.
- Automatic 3/4" Throw with 1" Vertical Adjustment.
- 12" Rod to Fit Standard ANSI Preparation.
- Spring Override in Case of Misalignment.
- Steel Body and Stainless Steel Components.
- Bolt Housing Screws #8 x 32 x 3/4" MS #8 x 1" SM
- Strike Screws #8 x 32 x 3/4" MS #8 x 1" SM
- Bolt Guide Screws #8 x 32 x 3/4" MS #8 x 1" SM
- Listed up to 3 hours on Hollow Metal and Steel-Covered Composite Doors up to 8 feet.
- Sold as set.

1 YEAR LIMITED WARRANTY



### Features:

- Fully Automatic, Non-Handed.
- Automatic 3/4" Throw and 3/4" Vertical Adjustment.
- Spring Override in Case of Misalignment.
- Steel Body and Stainless Steel Components.
- Bolt Housing Screws #8 x 3/4" SM #8 x 32 x 1/4" MS
- Strike Screws #8 x 3/4" SM
- Bolt Guide Screws #10 x 7/8" SM
- Rub Plate Screws #8 x 3/4" SM
- Listed up to 1-1/2 hours on Composite Wood Doors up to 8 Feet.
- Sold as set.

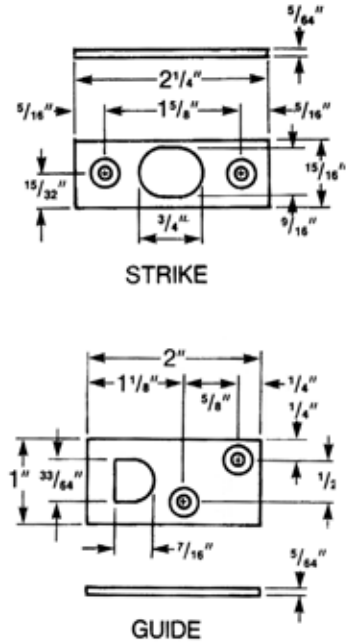
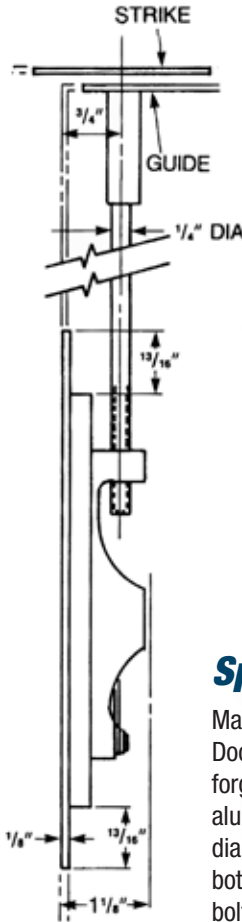
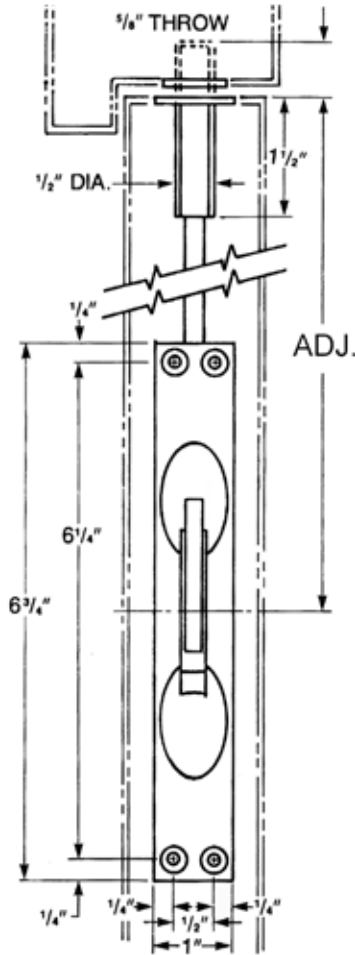
### CODE COMPLIANCE:





# Doormerica

## Manual Flush Bolts



### Features:

- FB197 -Forged Brass.
- Non-Handed.
- 5/8" Throw with 7/8" Vertical Adjustment.
- 12" Rod to Fit Standard ANSI Preparation.
- Spring Loaded Lever to Project or Retract Bolt.
- Forged Brass Construction.
- Bolt Housing Screws #8 x 32 x 1/2" MS  
#8 x 1" SM
- Strike Screws #8 x 32 x 1/2" MS  
#8 x 1" SM
- Bolt Guide Screws #8 x 32 x 1/2" MS  
#8 x 1" SM
- Listed up to 3 hours on Hollow Metal and Steel-Covered Composite Doors up to 8 feet.

### Specifications:

Manual Flush Bolt -Manual flush bolts shall be by Doormerica model number FB197 series made from forged brass or FB197AL series made from extruded aluminum. Flush bolts shall be provided with 1/2" diameter brass bolts and project 5/8" from the top or bottom edge of door with 7/8" vertical adjustment. Flush bolts shall have spring loaded lever to project or retract the bolts.



### CODE COMPLIANCE:

- FED. SPEC. -1049
- ANSI-A156.16.
- BHMA -LI4081
- NFPA 80 -National Fire Protection Association

### 1 YEAR LIMITED WARRANTY

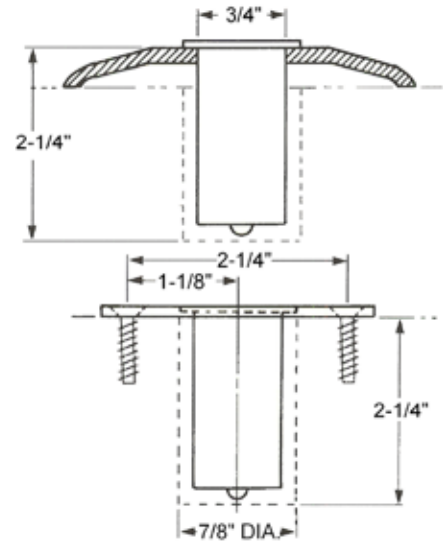
### Stocked Product

Item	Finish
FB197	US3, 10B, 26, 26D



# Doormerica

## DPS280 - Dust Proof Strike



### Features:

- Spring Loaded 3/4" Plunger.
- Both Floor and Threshold Installation.
- Face Plate 3" x 1-1/2".
- Body Diameter 15/16".
- Over all Depth 2-1/4"
- Strike Screws #12 x 1-1/2"
- Plastic Anchors
- Listed for use up to 3 Hours.

### Specifications:

**Dust Proof Strike** – Dust Proof Strike shall be by Doormerica model number DPS280 series and made from extruded brass. All dust proof strikes shall be provided with 3/4" diameter spring loaded plunger that returns to the floor level when the flush bolt is retracted.



### CODE COMPLIANCE:

- ANSI - A156.16.
- BHMA – L14011 - L14012
- Conforms to UL10C and UBC 7-2.
- ANSI A117.1 and ADA for barrier-free accessibility.
- C-UBC - California Uniform Builders Code.
- NFPA-80- National Fire Protection Association.
- NFPA-101- National Fire Protection, Life Safety.

### 1 YEAR LIMITED WARRANTY

### Stocked Product

Item	Finish
DPS280	US3, 10B, 26, 26D



# Doormerica

## DH179 / DHBB179 - 4 x 4, 4-1/2 x 4, 4-1/2 x 4-1/2, 5 x 4-1/2

### Full Mortise, Standard Weight Hinge



#### Features:

- Full mortise, square corner, standard weight steel template hinge.
- Material Gauge  
4" = .123  
4-1/2" = .134  
5" = .145
- Plain Bearing or Ball Bearing
- Screw packages  
-All Machine Screws (AMS) and  
-All Wood Screws (AWS).
- Machine Screws  
-Phillips(#1) Flat-head  
-12 x 24 x 1/2"
- Wood Screws  
-Phillips(#1) Flat-head  
-12 x 1-1/4"
- Also available NRP (Non Removable Pin)

#### Options:

- NRP -Non Removable Pin with set screw.
- DHBB179SS -Stainless Steel Base Metal. (32D).
- DHBB179BR (brass based)

#### Stocked Product

Item	Finish
DH179 4" x 4" and 4-1/2" x 4-1/2"	US3,US4,10B,15,15A,26,26D
DH179 4-1/2" x 4"	US3,US4,26
DHBB179 4" x 4"	US3,US4,10B,15,26,26D
DHBB179 4-1/2" x 4"	US3,US4,10B,26
DHBB179 4-1/2" x 4-1/2"	USP,US3,US4,10B,15,26,26D,32D
DHBB179 5" x 4-1/2"	US3,10B,26,26D
DHBB179 5" x 5"	26D
DHBB179BR 4-1/2' x 4-1/2"	10B,26D
DHBB179BR 5" x 4-1/2"	10B,26D
DHBB179SS 5" x 4-1/2"	32D

#### PACKAGING INFORMATION:

- Size 4" & 4-1/2" -3 Hinges per BOX and 48 per Carton.  
Size 5" -3 Hinges per BOX and 24 per Carton.

**Note: NRP (Non Removable Pin) available on most sizes. Contact sales department for availability**

## DHRC179 / DHRCBB179 - 3-1/2 x 3-1/2, 4 x 4

### 1/4" Radius Corner Standard Weight Plain & Ball Bearing Hinge

#### Features:

- Full mortise, 1/4" Radius Corner, Standard Weight Steel Template Hinge.
- Material Gauge -3-1/2" =.119, 4" =.129
- Plain Bearing
- Ball Bearing Available Only in 4 x 4.
- Screw packages -All Machine Screws (AMS) and All Wood Screws (AWS).
- 3-1/2" AMS (10 x 24 x 1/2) and AWS (9 x 1")
- 4" - AMS (12 x 24 x 1/2) and AWS (12 x 1-1/4")
- NRP - Non Removable Pin stocked 4 x 4 size only RC179 and RCBB179



#### Stocked Product

Item	Finish
DHRC179 3-1/2" x 3-1/2" and 4" x 4"	US3, US4,10B,15, 26, 26D
DHRCBB179 4" x 4"	US3, US4,10B,15, 26, 26D



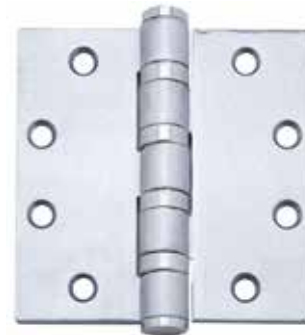
# Doormerica

## DHBB168 - 4-1/2 x 4-1/2, 5 x 4-1/2

### Full Mortise, Heavy Weight Hinge

#### Features:

- Full Mortise, Square Corner, Heavy Weight Steel Template Hinge.
- Material Gauge 4-1/2" = .180  
5" = .190
- Four Ball Bearings
- Stock Sizes 4-1/2" x 4-1/2" and 5" x 4-1/2"
- Screw packages -All Machine Screws (AMS) and Half Wood Screws (1/2 WS).
- Machine Screws -Phillips(#1) Flat-head -12 x 24 x 1/2"
- Wood Screws -Phillips(#1) Flat-head -12 x 1-1/4"
- Available NRP non removable pin
- Also available in SS (Stainless Steel) and BR (brass based)



#### Stocked Product

Item	Finish
DHBB168 4-1/2" x 4-1/2"	US3,10B, 26, 26D
DHBB168 5" x 4-1/2"	US3,10B, 26D
DHBB168BR 4-1/2" x 4-1/2"	US3,10B, 26D
DHBB168BR 5" x 4-1/2"	US3,10B, 26D
DHBB168SS 4-1/2" x 4-1/2"	32D
DHBB168SS 5" x 4-1/2"	32D

## DHSP179 - Commercial Weight Spring Hinge 4-1/2 x 4-1/2

## DHRCSP179 - Commercial Weight Spring Hinge 4 x 4

#### Features:

- UL Listed
- Material Gauge -.134
- Adjustable Spring Tension
- Screw Packages -All Machine Screws (AMS) and All Wood Screws (AWS).
- Machine screws Phillips(#1) Flat-head -12 x 24 x 1/2"
- Wood Screws Phillips(#1) Flat-head -12 x 1-1/4"



Full Mortise, Square Corner, Spring Hinges, Steel Template Hinge.



Full Mortise, 1/4" Radius Corner, Spring Hinges, Steel Hinge.

#### Stocked Product

Item	Finish
DHRCSP179 4" x 4"	US3, US4,10B,15, 26, 26D
DHSP179 4-1/2" x 4-1/2"	US3, US4,10B, 15, 26, 26D



# Doormerica

## DHC700 / DHCB700

### Standard Weight 3 Knuckle Plain & Concealed Bearing Hinge

#### Features:

- Full mortise, square corner, standard weight template hinge
- Material gauge - 4-1/2" = .134  
5" = .145
- Plain bearing or concealed bearing
- Screw packages -all machine screws (AMS) and all wood screws (AWS)
- Machine screws -Phillips (#1) flat-head -12 x 24 x 1/2"
- Wood screws -Phillips (#1) flat-head -12 x 1-1/4"



#### CODE COMPLIANCE:

- ANSI type A8133-3 (DHSC700) AND ABI12-3 (DHCB700)
- Meet USA federal spec. #FF-H-116C
- C-UBC -California Amended Uniform Builders Code-2001.
- NFPA-80-National Fire Protection Association -1999.
- NFPA-10I National Fire Protection AssociationLife Safety -2000

#### Stocked Product

Item	Finish
DHC700 4-1/2" x 4-1/2" Brass	10B, 26D
DHC700 4-1/2" x 4-1/2" SS	32D
DHCB700 4-1/2" x 4-1/2"	26D
DHCB700 4-1/2" x 4-1/2" Brass	10B, 26D
DHCB700 4-1/2" x 4-1/2" SS	32D
DHCB700 5" x 4-1/2"	26D
DHCB700 5" x 4-1/2" Brass	26D

## DHCB800 - Heavy Weight 3 Knuckle Concealed Bearing Hinge

#### Features:

- Full mortise, square corner, heavy weight steel template hinge
- Material Gauge 4-1/2" = .180  
5" = .190
- Screw packages -all machine screws (AMS) and half wood screws (AWS)
- Machine screws -Phillips (#1) flat-head -12 x 24 x 1/2"
- Wood screws -Phillips (#1) flat-head -12 x 1-1/4"



#### CODE COMPLIANCE:

- ANSI type A8111-3 (DHCB800)
- Meet USA federal spec. #FF-H-116C
- C-UBC California Amended Uniform Builders Code-2001.
- NFPA-80-National Fire Protection Association -1999.
- NFPA-101 National Fire Protection AssociationLife Safety -2000

#### Stocked Product

Item	Finish
DHCB800 4-1/2" x 4-1/2" Brass	10B
DHCB800 4-1/2" x 4-1/2" SS	32D
DHCB800 5" x 4-1/2" SS	32D





# Doormerica

## DHRC114 / DHRC158 - 3-1/2 x 3-1/2, 4 x 4

1/4" and 5/8" Radius Corner Residential Hinge



### Features:

- Full Mortise, 1/4" or 5/8" Radius Corner NonTemplate Steel hinge.
- Material Gauge -.085
- Plain Bearing
- Screw packages -All Wood Screws (AWS)
- Wood Screws for 3-1/2" -Phillips(#1) Flat-head -9 x 3/4"
- Wood Screws for 4" -Phillips(#1) Flat-head -9 x 1"
- NRP (Non Removable Pin) Stocked in 4" x 4" only

### PACKAGING INFORMATION:

- Bulk only
- 100 hinges per shipping carton

### Stocked Product

Item	Finish
DHRC114 3.5" x 3.5"	US3, US4,10B, 15, 26D
DHRC114 4" x 4"	US3, US4,10B, 15, 26, 26D
DHRC158 3.5" x 3.5"	US3, US4,10B, 15, 26, 26D
DHRC158 4" x 4"	US3, US4,10B, 15, 26D
NRP stocked in RC114 4" x 4" size only	

## DHRCSP114 / DHRCSP158 - 4 x 4

1/4" and 5/8" Radius Corner Residential Spring Hinge

### Features:

- Full Mortise, 1/4" or 5/8" Radius Corner, Spring Hinge.
- UL Listed
- Material Gauge -.097
- Adjustable Spring Tension
- Screw Packages -All Wood Screws (AWS)
- Wood Screws for 4" -Phillips(#1) Flat-head -9 x 1"



### Stocked Product

Item	Finish
DHRCSP114	US4, 15, 26, 26D
DHRCSP158	US4, 10B, 15, 26D



## Doormerica

### **DHTM214 - 3-1/2 x 3-1/2, 4 x 4**

1/4" Radius Corner, Light Weight Commercial Hinge



#### **Features:**

- Full Mortise, 1/4" Radius Corner Hinge Designed for Prefinished Steel Frames.
- Material Gauge -.085
- Plain Bearing.
- Screw packages -All Machine Screws (AMS) and Half Wood Screws (1/2 WS).
- 3-1/2" -AMS (10 x 24 x 1/2) and 1/2 WS (9 x 1")
- 4" -AMS (12 x 24 x 1/2) and 1/2 WS (12 x 1-1/4")

\*NRP- Non Removable Pin stocked in 4" x 4" only

#### **PACKAGING INFORMATION:**

- Size 3-1/2 x 3-1/2 -2 hinges per box and 100 per carton
- Size 4 x 4 -3 hinges per box and 48 per carton

#### **Stocked Product**

Item	Finish
DHTM214 3-1/2" x 3-1/2"	10B, 26D
DHTM214 4" x 4"	10B, 26D
NRP stocked in 4" x 4" size only	

### **DHTS214 - 4 x 4**

1/4" Radius Corner Light Weight Commercial Spring Hinge

#### **Features:**

- Full Mortise, 1/4" Radius Corner Hinge Designed for Prefinished Steel Frames
- UL Listed
- Material Gauge -.097
- Adjustable Spring Tension.
- Screw packages -All Machine Screws (AMS) and -Half Wood Screws (1/2WS).
- 4" -AMS (12 x 24 x 1/2") and 1/2 WS 12 x 1-1/4"



#### **PACKAGING INFORMATION:**

- 2 hinges per box and 80 per carton

#### **Stocked Product**

Item	Finish
DHTS214 4" x 4"	10B,26D



# Doormerica

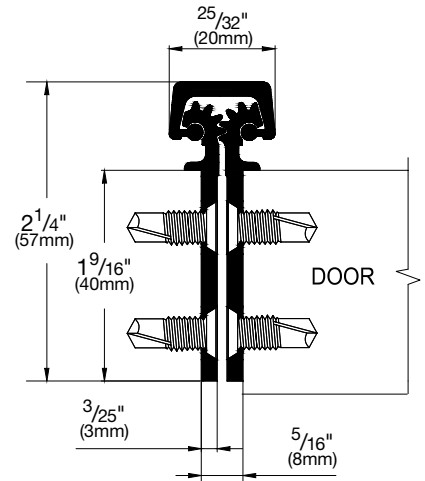
## Continuous Geared Aluminum Hinges CH88 1120HD / CH88 2240HD - Heavy Duty Full-Mortise

### Features:

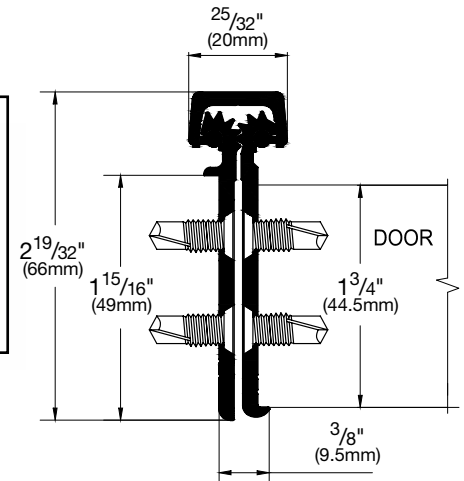
- Concealed/Mortise Leaf
- May be used with any door material
- Heavy Duty for high frequency 1 3/4" doors or heavy medium frequency doors up to 450 lbs.
- For new construction
- For renovation with new door and/or frames
- No mortising of doors or frame required
- Will cover hinge cut outs in frames
- Flush mount no inset
- Frame and door leaf alignment ribs for proper hinge location

### Specifications:

- FASTENERS:** Self-Tapping screws  
Full Mortise Hinges
- All fasteners are No. 12-24 x 1/16" Type C, FHUC
  - Heavy Duty Hinges -10 required for each leaf
- LENGTH OPTIONS:** 83" (7'0" opening) & 95" (7'2" - 8'0" opening)
- DOOR REINFORCEMENT:** None needed. Use 16 gauge channel over 200 lbs.
- FRAME REINFORCEMENT:** None needed to 200 lbs. Use 16 gauge channel over 200 lbs.



**CH88-1120HD**



**CH88-2240HD**

MODEL#	LENGTH	SCREW COUNT DOOR/JAMB	CLEARANCE
CH88 1120HD	83"	19/19	5/16" (8mm) hinge side plus standard lockside clearance
CH88 1120HD	95"	19/19	5/16" (8mm) hinge side plus standard lockside clearance
CH88 2240HD	83"	19/19	5/16" (8mm) hinge side plus standard lockside clearance
CH88 2240HD	95"	19/19	5/16" (8mm) hinge side plus standard lockside clearance

### LIMITED LIFETIME WARRANTY

#### Stocked Product

Item	Length	Finish
CH88 1120HD	83"	CLR, DB
CH88 1120HD	95"	CLR, DB
CH88 2240HD	83"	CLR, DB
CH88 2240HD	95"	CLR, DB

Available Finishes:  
CLR (Clear Anodized Aluminum)  
DB (Dark Bronze Anodized Aluminum)



# Doormerica

## Continuous Geared Aluminum Hinges

### CH88 1570HD / CH88 2100HD - Heavy Duty Full Surface

#### Features:

- Full Surface
- May be used with any door material
- Heavy Duty for high frequency 1 3/4" doors or heavy medium frequency doors up to 450 lbs.
- Replacement for existing doors and frames 7/8" minimum frame 1/16" inset

#### Specifications:

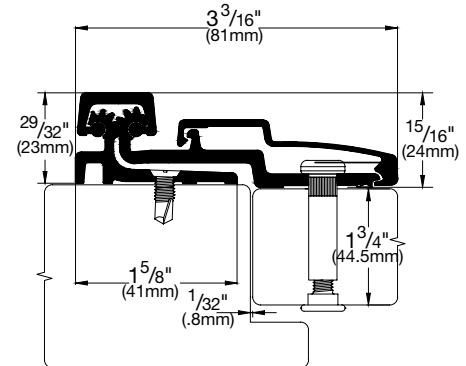
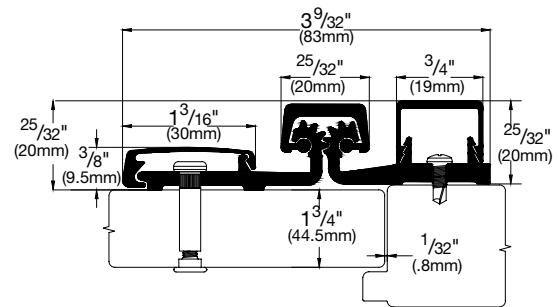
- FASTENERS:** Self-Tapping screws. Full Surface Hinges
- 1) Frame Portion
    - a) All fasteners are No. 12-24 x 1/16" Type C, FHUC
      - Heavy Duty Hinges - 10 required for each leaf
  - 2) Door Portion
    - a) Thrubolt 1/4-20 x 1 5/8" PCH
      - Heavy Duty Hinges - 6 required for each leaf
    - b) Shoulder bolt 1/4-20 x 1" PCH
      - Heavy Duty Hinges - 6 required
    - c) Pan Head Self Drilling No. 12 x 3/4"
      - Heavy Duty Hinges - 4 required

**LENGTH OPTIONS:** 83" (7'0" opening) & 95" (7'2" - 8'0" opening)

**DOOR REINFORCEMENT:** None needed

**FRAME REINFORCEMENT:** None needed to 200 lbs. Use 16 gauge channel over 200 lbs.

MODEL#	LENGTH	SCREW COUNT		CLEARANCE
		DOOR/JAMB		
CH88 1570HD	83"	19/19		1/32" (1mm) minimum recommended for hinge side plus standard lockside clearance
CH88 1570HD	95"	20/20		
CH88 2100HD	83"	19/19		1/32" (1mm) minimum recommended for hinge side plus standard lockcase clearance
CH88 2100HD	95"	20/20		1 5/8" (41mm) minimum frame face required plus 3/16" (5mm) rotational clearance



#### LIMITED LIFETIME WARRANTY

#### Stocked Product

Item	Length	Finish
CH88 1570HD	83"	CLR, DB
CH88 1570HD	95"	CLR, DB
CH88 2100HD	83"	CLR, DB
CH88 2100HD	95"	CLR, DB

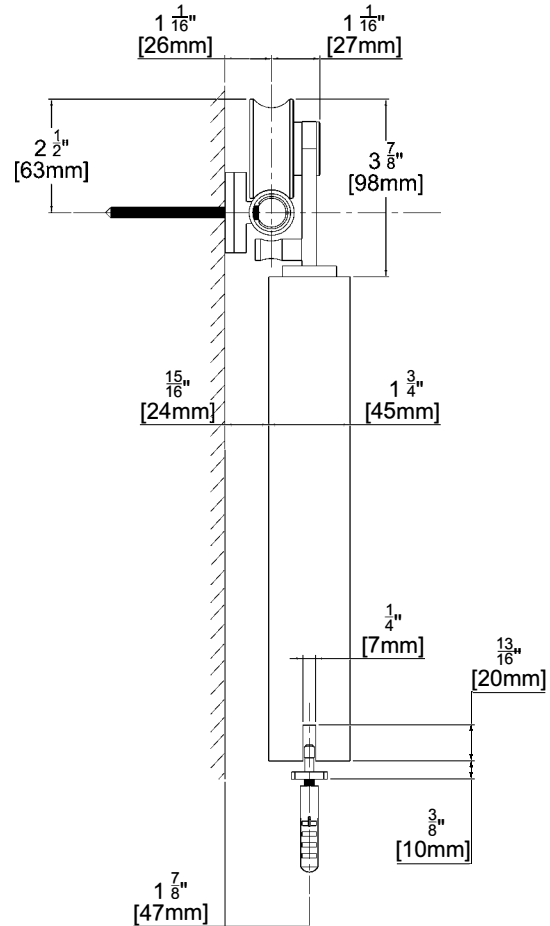
Available Finishes:  
 CLR (Clear Anodized Aluminum)  
 DB (Dark Bronze Anodized Aluminum)



# Doormerica

## Premium Sliding Barn Door Hardware

### Set Design - Wood Type 1



#### Features:

- Designed for Wood Doors 1-3/4" & 1-3/8" thick top mounted hardware  
Door weight **up to 176 lbs.**
- Materials:  
304 Stainless Steel track  
304 Stainless Steel hangers with nylon coated rollers
- Product Standards:  
Product designed and tested to follow ANSI Grade 1 Standards
- Finishes Available:  
Brushed Stainless Steel  
Dark Bronze

#### Kits Include:

- 1 ea. Stainless Steel Track with Stainless Steel wall brackets
- 2 ea. Stainless Steel Hangers
- 2 ea. Stainless Steel Track stops
- 1 ea. Stainless Steel Door Bottom Guide - FLGUIDE 03 SS
- 1 ea. Wall mount channel Door Guide
- 1 ea. Installation Instructions

Door Type	Set Type	Size	Finish	Track Length	Door Width
WD	T1	06	SS	78-3/4"	36"
WD	T1	08	SS	98-7/16"	48"
WD	T1	06	DB	78-3/4"	36"
WD	T1	08	DB	98-7/16"	48"

#### TEN YEAR LIMITED WARRANTY

#### Stocked Product

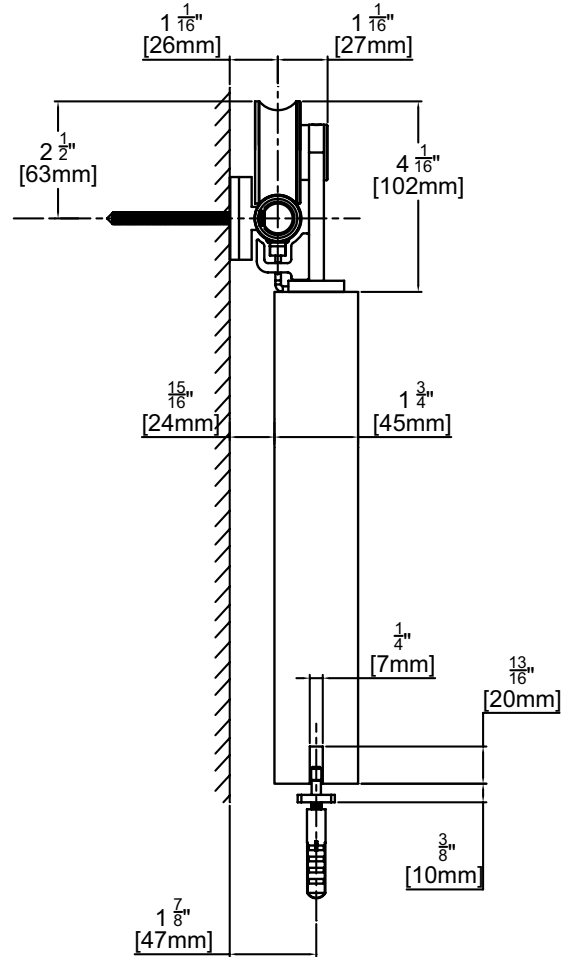
Item	Finish
PREMSLIDE WD T1 06	Brushed Stainless Steel
PREMSLIDE WD T1 06	Dark Bronze
PREMSLIDE WD T1 08	Brushed Stainless Steel
PREMSLIDE WD T1 08	Dark Bronze
WD T1 CARRIERSS	Brushed Stainless Steel
WD T1 CARRIERDB	Dark Bronze



# Doormerica

## Premium Sliding Barn Door Hardware

### Set Design - Wood Type 1 Soft Close



#### Features:

- Designed for Wood Doors 1-3/4" & 1-3/8" thick top mounted hardware  
Door weight **up to 176 lbs.**
- Materials:  
304 Stainless Steel track  
304 Stainless Steel hangers with nylon coated rollers
- Product Standards:  
Product designed and tested to follow ANSI Grade 1 Standards
- Finishes Available:  
Brushed Stainless Steel

#### Kits Include:

- 1 ea. Stainless Steel Track with Stainless Steel wall brackets
- 2 ea. Stainless Steel Hangers
- 2 ea. Stainless Steel Track stops
- 1 ea. Stainless Steel Door Bottom Guide - FLGUIDE 03 SS
- 1 ea. Wall mount channel Door Guide
- 1 ea. Installation Instructions

Door Type	Set Type	Size	Finish	Track Length	Door Width
WD	T1SC	06	SS	78-3/4"	36"
WD	T1SC	08	SS	98-7/16"	48"

**TEN YEAR LIMITED WARRANTY**

**Soft Close Mechanism**

**FIVE YEAR LIMITED WARRANTY**

#### Stocked Product

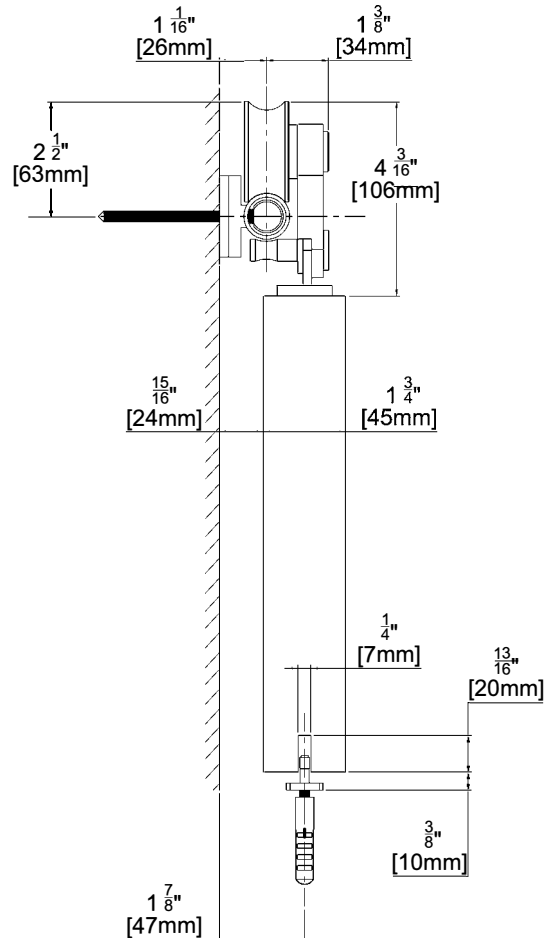
Item	Finish
PREMSLIDE WD T1SC 06	Brushed Stainless Steel
PREMSLIDE WD T1SC 08	Brushed Stainless Steel
WD T1 CARRIERSS	Brushed Stainless Steel



# Doormerica

## Premium Sliding Barn Door Hardware

### Set Design - Wood Type 2



#### Features:

- Designed for Wood Doors 1-3/4" & 1-3/8" thick top mounted hardware  
Door weight **up to 242 lbs.**
- Materials:  
304 Stainless Steel track  
304 Stainless Steel hangers with nylon coated rollers
- Product Standards:  
Product designed and tested to follow ANSI Grade 1 Standards
- Finishes Available:  
Brushed Stainless Steel

#### Kits Include:

- 1 ea. Stainless Steel Track with Stainless Steel wall brackets
- 2 ea. Stainless Steel Hangers
- 2 ea. Stainless Steel Track stops
- 1 ea. Stainless Steel Door Bottom Guide - FLGUIDE 03 SS
- 1 ea. Wall mount channel Door Guide
- 1 ea. Installation Instructions

Door Type	Set Type	Size	Finish	Track Length	Door Width
WD	T2	06	SS	78-3/4"	36"
WD	T2	08	SS	98-7/16"	48"

**TEN YEAR LIMITED WARRANTY**

#### Stocked Product

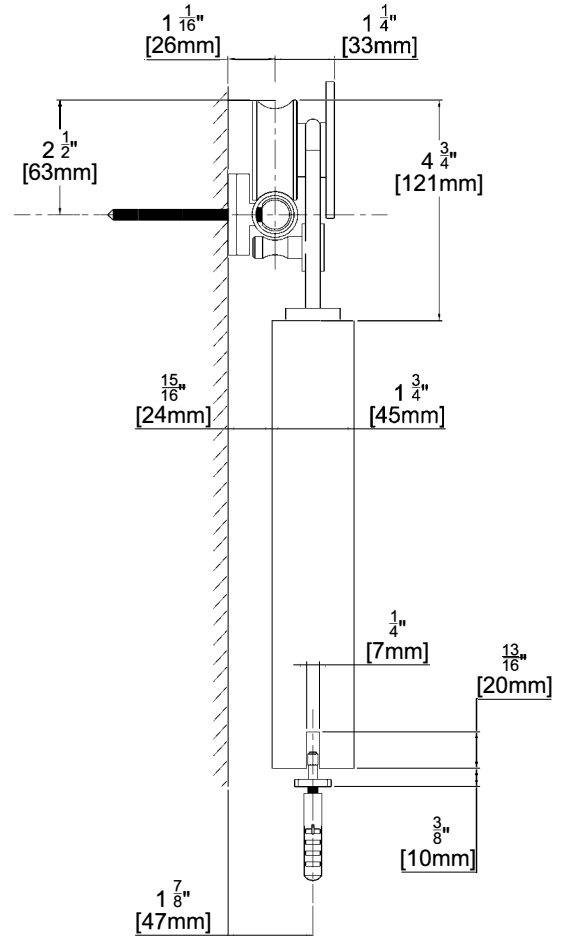
Item	Finish
PREMSLIDE WD T2 06	Brushed Stainless Steel
PREMSLIDE WD T2 08	Brushed Stainless Steel



# Doormerica

## Premium Sliding Barn Door Hardware

### Set Design - Wood Type 4



#### Features:

- Designed for Wood Doors 1-3/4" & 1-3/8" thick top mounted hardware  
Door weight **up to 176 lbs.**
- Materials:  
304 Stainless Steel track  
304 Stainless Steel hangers with nylon coated rollers
- Product Standards:  
Product designed and tested to follow ANSI Grade 1 Standards
- Finishes Available:  
Brushed Stainless Steel

#### Kits Include:

- 1 ea. Stainless Steel Track with Stainless Steel wall brackets
- 2 ea. Stainless Steel Hangers
- 2 ea. Stainless Steel Track stops
- 1 ea. Stainless Steel Door Bottom Guide - FLGUIDE 03 SS
- 1 ea. Wall mount channel Door Guide
- 1 ea. Installation Instructions

Door Type	Set Type	Size	Finish	Track Length	Door Width
WD	T4	06	SS	78-3/4"	36"
WD	T4	08	SS	98-7/16"	48"

**TEN YEAR LIMITED WARRANTY**

#### Stocked Product

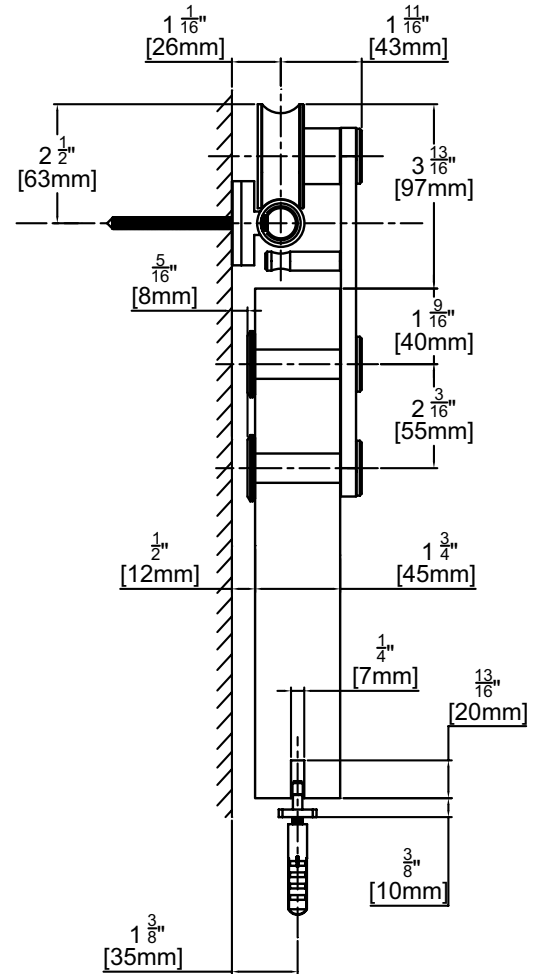
Item	Finish
PREMSLIDE WD T4 06	Brushed Stainless Steel
PREMSLIDE WD T4 08	Brushed Stainless Steel





# Doormerica

## Premium Sliding Barn Door Hardware Set Design - Wood Type 5



### Features:

- Designed for Wood Doors 1-3/4" & 1-3/8" thick face mounted hardware  
Door weight **up to 198 lbs.**
- Materials:  
304 Stainless Steel track  
304 Stainless Steel hangers with nylon coated rollers
- Product Standards:  
Product designed and tested to follow ANSI Grade 1 Standards
- Finishes Available:  
Brushed Stainless Steel  
Dark Bronze

### Kits Include:

- 1 ea. Stainless Steel Track with Stainless Steel wall brackets
- 2 ea. Stainless Steel Hangers
- 2 ea. Stainless Steel Track stops
- 1 ea. Stainless Steel Door Bottom Guide - FLGUIDE 03 SS
- 1 ea. Wall mount channel Door Guide
- 1 ea. Installation Instructions

Door Type	Set Type	Size	Finish	Track Length	Door Width
WD	T5	06	SS	78-3/4"	36"
WD	T5	08	SS	98-7/16"	48"
WD	T5	06	DB	78-3/4"	36"
WD	T5	08	DB	98-7/16"	48"

### TEN YEAR LIMITED WARRANTY

### Stocked Product

Item	Finish
PREMSLIDE WD T5 06	Brushed Stainless Steel
PREMSLIDE WD T5 06	Dark Bronze
PREMSLIDE WD T5 08	Brushed Stainless Steel
PREMSLIDE WD T5 08	Dark Bronze
WD T5 CARRIERSS	Brushed Stainless Steel
WD T5 CARRIERDB	Dark Bronze



# Doormerica

## Premium Sliding Barn Door Hardware - Accessories



PREMCONNECTORSS



PREMENDCAPSS



PREMCLAMPFIX08SS



PREMSTOP03SS



PREMSTOP07SS



PREMSTOP24SS



BRNDRLATCH722092SS



PREMSPACERBRKTSS  
adds 1/4" clearance



MINISPACERADJBRKTBLK  
(for mini series)  
adjusts from 1-3/4" - 2-1/2"

### Stocked Product

Item	Finish
PREMCONNECTORSS	Brushed Stainless Steel
PREMCONNECTORDB	Dark Bronze
PREMENDCAPSSS	Brushed Stainless Steel
PREMENDCAPSDB	Dark Bronze
PREMCLAMPFIX08SS	Brushed Stainless Steel
PREMCLAMPFIX08DB	Dark Bronze
PREMSTOP03SS	Brushed Stainless Steel
PREMSTOP03DB	Dark Bronze
PREMSTOP07SS	Brushed Stainless Steel
PREMSTOP07DB	Dark Bronze
PREMSTOP24SS	Brushed Stainless Steel
PREMSTOP24DB	Dark Bronze
BRNDRLATCH722092SS	Brushed Stainless Steel
BRNDRLATCH722126BLK	Black
PREMSPACERBRKTSS	Stainless Steel
PREMSPACERBRKTBLK	Black
MINISPACERADJBRKTSLVR	Silver
MINISPACERADJBRKTBLK	Black



# Doormerica

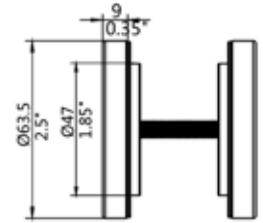
## Premium Sliding Barn Door Hardware - Pulls



71 13 92 WDSS



71 13 92 WDBLK



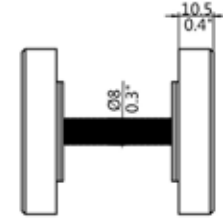
1-3/8" - 1-3/4"  
(35 - 45mm)



71 14 92 WDSS



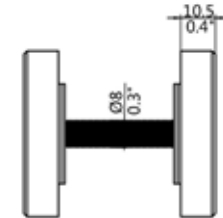
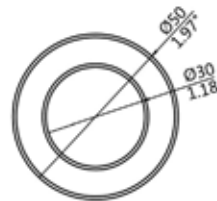
71 14 92 WDBLK



1-3/8" - 1-3/4"  
(35 - 45mm)



71 14 92 WDAL



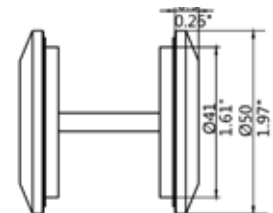
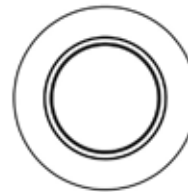
1-3/8" - 1-3/4"  
(35 - 45mm)



71 16 92 WDSS



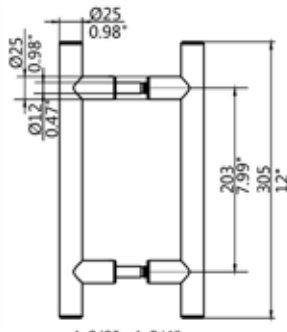
71 16 92 WDBLK



1-3/8" - 1-3/4"  
(35 - 45mm)



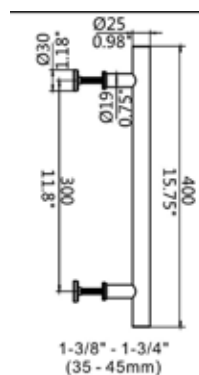
70 04 91 WD



1-3/8" - 1-3/4"  
(35 - 45mm)



70 84 92 WD



1-3/8" - 1-3/4"  
(35 - 45mm)

### Stocked Product

Item	Finish
71 13 92 WDSS	Stainless Steel
71 13 92 WDBLK	Black
71 14 92 WDSS	Stainless Steel
71 14 92 WDBLK	Black
71 14 92 WDAL	Aluminum
71 16 92 WDSS	Stainless Steel
71 16 92 WDBLK	Black
70 04 91 WDSS	Stainless Steel
70 04 91 WDBLK	Black
70 84 92 WDSS	Stainless Steel
70 84 92 WDBLK	Black



# Doormerica

## American Rustic Sliding Barn Door Hardware

### Mini Industrial

Barn Door Hardware with a true rustic look and design.

#### Features:

- Kit designed for use with 1-3/4" & 1-3/8" thick wood doors
- Color/Finish: Mini Industrial – Flat Black
- Wheel Type: Nylon
- Track & Hardware Kit is for 1 door
- Weight Limit: **225 pounds per door**
- Hangers mount to the face of the door

36" Doors – Use 80" Track Kit

48" Doors – Use 104" Track Kit

Pair Doors – Use two kits along with track coupler

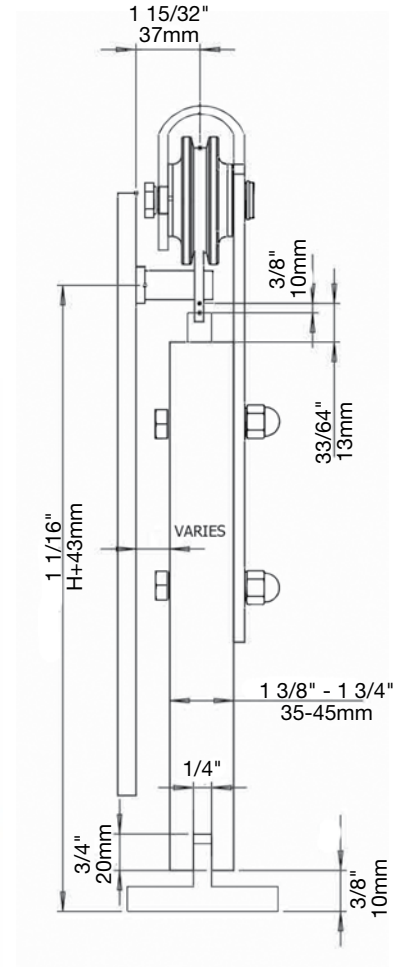
#### Kits Include:

- Track pre-drilled for mounting hardware
- Mounting Hardware
- Hanger Assembly
- Stops
- Floor mount Door Guide - FL GUIDE 02 BLK
- Wall mount channel Door Guide
- Installation instructions
- Coupler

*Note: If installing into drywall, track will require proper reinforcement inside the wall or on the surface of the wall.*



Mini Industrial



COUPLER



STANDOFF



STOPPER

#### TWO YEAR LIMITED WARRANTY

#### Stocked Product

Item	Length	Finish
MININDKIT	80"	BLK
MININDKIT	104"	BLK
MINKITCOUPLER		BLK
MSTANDOFF		BLK
MSTOPPER		BLK
MININDCARRIERBLK		BLK



# Doormerica

## American Rustic Sliding Barn Door Hardware

### Mini Modern

Barn Door Hardware with a true rustic look and design.

#### Features:

- Kit designed for use with 1-3/4" & 1-3/8" thick wood doors
- Color/Finish: Mini Modern – Silver
- Wheel Type: Nylon
- Track & Hardware Kit is for 1 door
- Weight Limit: **225 pounds per door**

36" Doors – Use 80" Track Kit

48" Doors – Use 104" Track Kit

Pair Doors – Use two kits along with track coupler

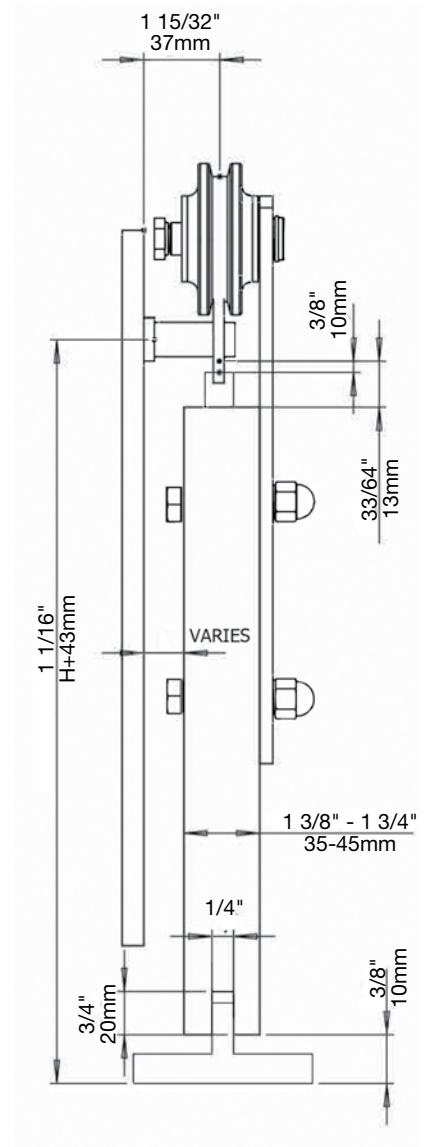
#### Kits Include:

- Track pre-drilled for mounting hardware
- Mounting Hardware
- Hanger Assembly
- Stops
- Floor mount Door Guide - FL GUIDE 02 BLK
- Wall mount channel Door Guide
- Installation instructions
- Coupler

*Note: If installing into drywall, track will require proper reinforcement inside the wall or on the surface of the wall.*



**Mini Modern**



**COUPLER**



**STANDOFF**



**STOPPER**

#### TWO YEAR LIMITED WARRANTY

#### Stocked Product

Item	Length	Finish
MINMODKIT	80"	SLVR
MINMODKIT	104"	SLVR
MINKITCOUPLER		SLVR
MSTANDOFF		SLVR
MSTOPPER		SLVR
MINMODCARRIERSLVR		SLVR



# Doormerica

## American Rustic Sliding Barn Door Hardware

### Mini Ultra Modern

Barn Door Hardware with a true rustic look and design.

#### Features:

- Kit designed for use with 1-3/4" & 1-3/8" thick wood doors
- Color/Finish: Mini Ultra Modern – Flat Black
- Wheel Type: Nylon
- Track & Hardware Kit is for 1 door
- Weight Limit: **225 pounds per door**

36" Doors – Use 80" Track Kit

48" Doors – Use 104" Track Kit

Pair Doors – Use two kits along with track coupler

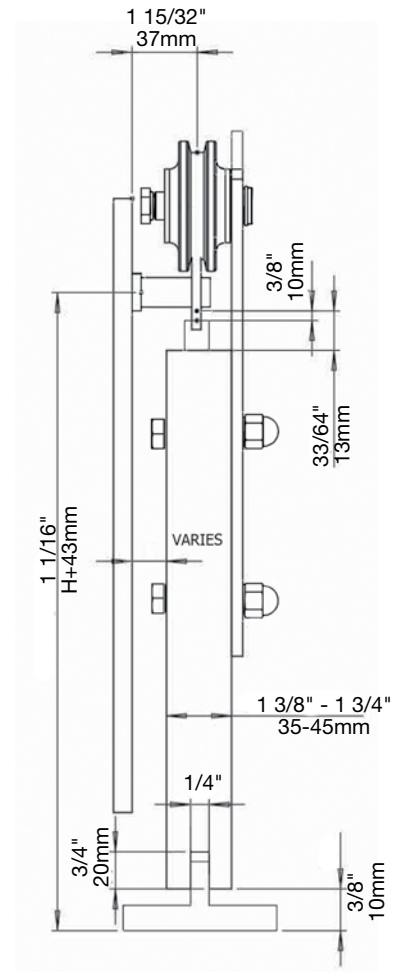
#### Kits Include:

- Track pre-drilled for mounting hardware
- Mounting Hardware
- Hanger Assembly
- Stops
- Floor mount Door Guide - FL GUIDE 02 BLK
- Wall mount channel Door Guide
- Installation instructions
- Coupler

*Note: If installing into drywall, track will require proper reinforcement inside the wall or on the surface of the wall.*



Mini Ultra Modern



COUPLER



STANDOFF



STOPPER

**TWO YEAR LIMITED WARRANTY**

#### Stocked Product

Item	Length	Finish
MINULTMODKIT	80"	BLK
MINULTMODKIT	104"	BLK
MINKITCOUPLER		BLK
MSTANDOFF		BLK
MSTOPPER		BLK
MINULTCARRIERBLK		BLK



# Doormerica

## Sliding Barn Door Floor Guides



9TAHPREMFLGUIDE02  
POM Material, Floor Mounted Internal Guide



9TAHPREMFLGUIDE03/9TAHPREMFLGUIDE03BLK  
Stainless Steel or Black Finish Floor Mounted Guide



9TAHPREMFLGUIDE04  
Stainless Steel Floor Mounted Internal Guide



9TAHPREMFLGUIDE07  
POM Material, U Shaped Floor Mounted Guide



9TAHPREMFLGUIDE09 - 1-3/8" Only  
Steel Wall Mounted Channel Guide



9TAHPREMFLGUIDE17  
Stainless Steel Bracket/POM Guide,  
Wall Mounted Internal Guide



9TAHPREMFLGUIDE18  
Stainless Steel Wall Mounted Internal Guide

### Stocked Product

Item	Finish
9TAHPREMFLGUIDE02	BLK
9TAHPREMFLGUIDE03	SS
9TAHPREMFLGUIDE03	BLK
9TAHPREMFLGUIDE04	DB
9TAHPREMFLGUIDE04	SS
9TAHPREMFLGUIDE07	BLK
9TAHPREMFLGUIDE09	DB
9TAHPREMFLGUIDE17	DB
9TAHPREMFLGUIDE17	SS
9TAHPREMFLGUIDE18	DB
9TAHPREMFLGUIDE18	SS



# Doormerica

## Pushes and Pulls



PPN4016R    PPN4016R8    PPN4016R10    PPN4016

### Features:

- All Plate Goods are 16 Gauge (.050) Thick.
- Stainless Steel SS430, no Nickel.
- Plates individually wrapped with Mounting Screws.
- Pull Plates and Handles have Mounting Screws for 1-3/4" Thick Door.
- All Plates Packed with Stainless Steel Sheet Metal Screws Plated to Match Finish.

### Options:

- PPN4016    4" x 16", Push Plate.
- PPN4016R    4" x 16" Plate with Round Pulls.
- Round Pull, 6", 8" and 10" C to C  
4016 push plate and 4016R pull plates stocked in SS430 Stainless (less nickel) Size 4"x 16" only. Specify PPN.

### Specifications:

Plate Goods -Plate goods shall be by Doormerica model number PPN and made from Stainless Steel. All plates to be a minimum of 16 gauge (.050) and beveled on four sides. All Plates to be provided with Stainless Steel Phillips sheet metal screws plated to match finish. Each plate shall be individually wrapped with mounting screws.

### Stocked product

Item	Pull	CTC	Plate	Size
PPN4016R	3/4" dia.	6"	PPN4016	4"x16"
PPN4016R8	3/4" dia.	8"	PPN4016	4"x16"
PPN4016R10	1" dia.	10"	PPN4016	4"x16"
PPN4016	Push		PPN4016	4"x16"

## Kick Plates



KPN1034 - 10" x 34" Kick Plate

### Features:

- All Plate Goods are 16 Gauge (.050) Thick.
- Stainless Steel SS430, no Nickel.
- Plates individually wrapped with Mounting Screws.
- All Plates Packed with Stainless Steel Sheet Metal Screws Plated to Match Finish.
- Kickplates are not beveled.

### Options:

- KPN0834 - 8" x 34" Kick Plate.
- KPN1034 -10" x 34" Kick Plate.
- KPN1234 -12" x 34" Kick Plate.

### Specifications:

Plate Goods -Plate goods shall be by Doormerica model number KPN made from plate brass or Stainless Steel. All plates to be a minimum of 16 gauge (.050), All Plates to be provided with Stainless Steel Phillips sheet metal screws plated to match finish. Each plate shall be individually wrapped with mounting screws

### Stocked product

Item	Finish
KPN0834	32D
KPN1034	32D
KPN1234	32D
"No Nickel" SS430 Stainless Steel Only	





# Doormerica

## Door Guards



### Features:

- DG128BR -solid forged brass.
- Positive projection lock ball not allowing forced entry.
- Swing bar folds out of place when not used.
- Maximum 4" door opening when engaged.
- Cannot be disengaged unless door is fully closed.

### Options:

- DGDEP128 - Door Angle Protector
- DGS128 - Door Guard Shim

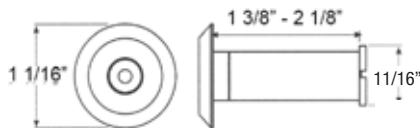
### Stocked Product

Item	Finish
DG128BR	US3,10B,15,26,26D
DGDEP128	10B,15,26,26D
DGS128	Black

## Viewers

### DV190

Door Viewer  
9/16" Bore Diameter



### DV3315

UL Listed Door Viewer  
9/16" Bore Diameter



### Features:

- DV190 -190 Degrees Viewing Area.  
-Polished Plastic Lenses.
- DV3315 -200 Degrees Viewing Area.  
-Polished Plastic Lenses.
- All Viewers Solid Cast Brass.

### Stocked Product

Item	Finish
DV190	US3,10B,15,26,26D
DV3315	US3,10B,15,26,26D



# Doormerica

## Door Holders

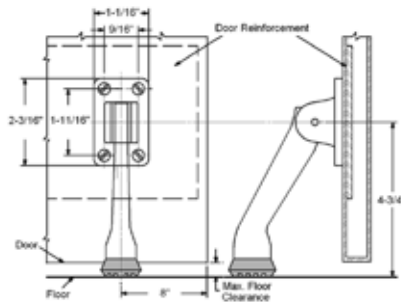


**SH1235**

Drop Down Door Holder

### Features:

- SH1235BR - 5" Cast Brass Holder.
- Stops individually wrapped with mounting screws.
- Polybagged with 3 or 4 sheet metal screws.



### Stocked Product

Item	Finish
SH1235BR	US3, 10B, 26D

## Wall Stops

**SH401**

Concave Wall Stop



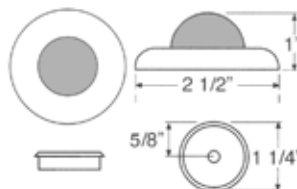
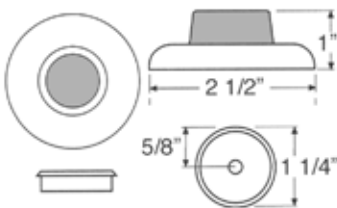
**SH406**

Convex Wall Stop



### Features:

- SH401 - Concave Wall Stop.
- SH406 - Convex Wall Stop.
- All Wall Stops Are Wrought Steel.
- Stops Individually Wrapped With Mounting Screws.
- Polybagged With:
  - 1 Plastic Anchor
  - 1 Sheet Metal Screw



### Stocked Product

Item	Finish
SH401	US3, 10B, 15, 26, 26D
SH406	10B, 15, 26D

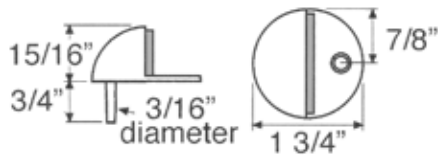


# Doormerica

## Floor Stops

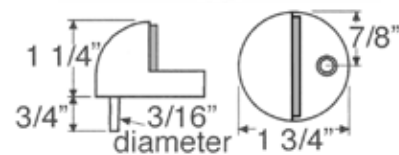
### SH436

Low Dome Stop



### SH438

High Dome Stop



### Features:

- SH436 -1/4" Rise x 1" Low Dome Stop.
- SH438 -1/2" Rise x 1-1/4" High Dome Stop.
- All Floor Stops are Cast Brass
- Stops Individually wrapped with Mounting Screws.
- Polybagged with: 1 Plastic Anchor  
1 Sheet Metal Screw  
1 Lead Anchor

### Stocked Product

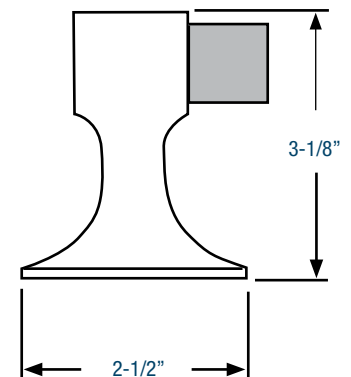
Item	Finish
SH436	US3, 10B, 15, 26, 26D
SH438	US3, 10B, 15, 26, 26D

### Features:

- SH444 -3-1/8" High Floor Stop.
- Solid Cast Brass.
- Stops Individually wrapped with Mounting Screws.
- Polybagged with: 1 Plastic Anchor  
1 Sheet Metal Screw  
1 Lead Anchor

### SH444

Floor Mount Stop



### Specifications:

Stops -Stops shall be by Doormerica model number SH444 and made from solid cast brass. All stops to be provided with steel Phillips sheet metal screws plated to match finish. Each Stop shall be individually wrapped with mounting screws.

### Stocked Product

Item	Finish
SH444	US3, 10B, 26, 26D



# Doormerica

## RL300 / RL320 - Roller Latches

### Features:

- Actuation is simple, closing of the door causes the roller to fall in the depression of the strike, thereby holding the door closed.
- The projection of the roller is easily adjusted using adjusting screws on the face of the unit.
- Maximum projection of the roller is 3/8" allowing for variance in the door clearance.
- Nylon Roller Standard.
- Forged Brass Construction.
- Meets ANSI/BHMA A156.16, E19091.
- Finishes US10B, US26D other finishes available special order only



**RL300**

### Dimensions:

Body: 1" Wide x 3-3/8" Long x 1-5/8" Deep  
 Strike: 1-11/16" Wide x 2-3/16" Long x 5/32" Thick

### Stocked Product

Item	Finish
RL300	10B, 26D

### Features:

- Actuation is simple, closing of the door causes the roller to fall in the depression of the strike, thereby holding the door closed.
- The projection of the roller is easily adjusted by turning knurled knob on back of latch.
- Maximum projection of the roller is 1/2" allowing for variance in the door clearance.
- Fits heavy-duty cylindrical lock cutout.
- Nylon Roller Standard.
- Non-handed.
- Brass or Stainless Steel Construction.
- Meets ANSI/BHMA A156.16, E19101.
- Finishes US10B, US26D other finishes available special order only



**RL320**

### Dimensions:

Body: 1-1/8" Wide x 2-1/4" Long x 1-3/4" Deep  
 Strike: 1-1/8" Wide x 2-3/4" Long x 1/16" Thick

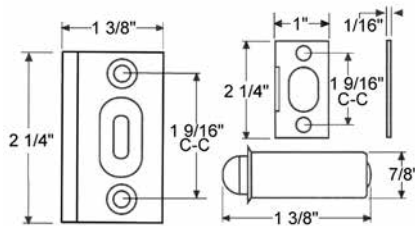
### Stocked Product

Item	Finish
RL320	26D

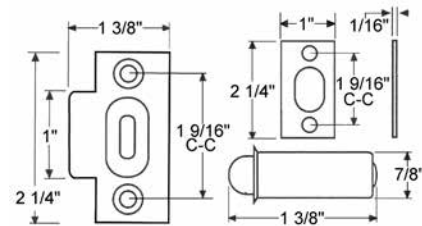


# Doormerica

## BC2950 / BC2955 - Ball Catches



BC2950 - Ball Catch



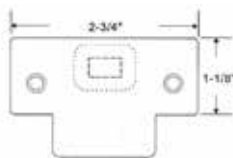
BC2955 - Roller Catch

### Features:

- BC2950 - Ball Catch.
- BC2955 - Roller Catch.
- Dual Adjustment for Door Clearance and Holding Strength.
- Lip Strike Designed for Jamb Mounting.
- Ball Catch Individually wrapped with Mounting Screws.

### Option:

- BC2955T - with 2-3/4" x 1-1/8" T Strike  
Packed with #8 x 32 metal screws



### Specifications:

Ball Catches – Ball catches shall be by Doormerica model number BC2950 and BC2955 are all ball catches provided with high tension steel compression springs to provide solid engagement with strike. All ball catches provided with Phillips sheet metal screws, plated to match finish for proper ball and strike mounting. Each ball catch shall be individually wrapped.

**1 YEAR LIMITED WARRANTY**

### Stocked Product

Item	Finish
BC2950	US3, 10B, 15
BC2955	US3, 10B, 15
BC2955T	US3, 10B, 15



# Doormerica

## Signs



HS1M



HS2W



HS3R

### Stocked Product

Item	Description	Size
HS1M	Men's Restroom No Braille	12" x 12" x 12"
HS2W	Women's Restroom No Braille	12" Diameter
HS3R	Unisex Restroom No Braille	12" Diameter

## ADA Signs



HS69M



HS69W



HS69R



HS10E

### Stocked Product

Item	Description	Size
HS69M	ADA Men's With Braille	8" x 8"
HS69W	ADA Women's With Braille	8" x 8"
HS69R	ADA Unisex With Braille	8" x 8"
HS10E	ADA Exit With Braille	6" x 6"



## **Doormerica**

### **LIMITED LIFETIME WARRANTY**

Locks include: ASIL, ML, LHV and LSV series, Closers include: DC40, DC70, DC851 series, Exit Devices include: ED701 series, Hinges include: All commercial grade. EXCEPTIONS for all categories: Electrified products.

Subject to the limitations of liability set forth below, American Building Supply Inc. warrants to purchasers that the mechanical door hardware products which the company sells under the Doormerica Hardware name are free from mechanical defects in workmanship and materials under normal use and regular service and maintenance for a period of the useful life of the building in which originally installed. Warranty on finish is 3-years with the EXCEPTION of 10B/613 Finish.

THIS IS THE SOLE AND EXCLUSIVE WARRANTY GIVEN BY THE COMPANY WITH RESPECT TO THE PRODUCTS AND IS IN LIEU OF ANY AND ALL OTHER WARRANTIES, EXPRESS OR IMPLIED, ARISING BY OPERATION OF LAW, ORDINANCE OR OTHERWISE, ALL IMPLIED WARRANTIES, INCLUDING BUT NOT LIMITED TO THE WARRANTIES OF MERCHANTABILITY, NONINFRINGEMENT, AND FITNESS FOR A PARTICULAR PURPOSE, ARE HEREBY EXCLUDED.

This warranty does not cover defects or damage arising from improper installation, incorrect application, any product installed in a hostile environment causing premature corrosion or wear and tear, lack of or improper maintenance, improper storage, shipping and handling, ordinary wear and tear, misuse, abuse, accident, unauthorized service, or use with unauthorized products or parts or an act of God.

The sole and exclusive liability of American Building Supply Inc. under this warranty or otherwise, shall be limited to the repair or replacement of any product or component part which shall prove defective to the original purchaser from the company. The company will not pay for the costs or repair performed other than in accordance with this warranty. THE COMPANY SHALL NOT BE LIABLE FOR DAMAGES CAUSED BY DELAY IN PERFORMANCE AND IN NO EVENT, REGARDLESS OF THE FORM OF THE CLAIM OR CAUSE OF ACTION (WHETHER BASED ON CONTRACT, INFRINGEMENT, NEGLIGENCE, STRICT LIABILITY, OTHER TORT OR OTHERWISE), SHALL THE COMPANY'S LIABILITY TO PURCHASER AND/OR ITS CUSTOMERS EXCEED THE PRICE PAID BY PURCHASER FOR THE SPECIFIC PRODUCTS PROVIDED BY THE COMPANY GIVING RISE TO THE CLAIM OR CAUSE OF ACTION. PURCHASER AGREES THAT IN NO EVENT SHALL THE COMPANY'S LIABILITY TO PURCHASER AND/OR ITS CUSTOMERS EXTEND TO INCLUDE INCIDENTAL, CONSEQUENTIAL OR PUNITIVE DAMAGES RESULTING FROM USE OF THESE PRODUCTS, OR ARISING OUT OF ANY BREACH OF THIS WARRANTY. The term "consequential damages" shall include, but not be limited to, loss of anticipated profits, business interruption, loss of use or revenue, cost of capital or loss or damage to property or equipment. The foregoing limitations and exclusions are intended to be effective to the maximum extent permitted by law. This warranty is governed by the law of the State of California without regard to its conflicts of law principles. The company and purchaser agree that the United Nations Convention on Contracts for the International Sale of Goods and the United Nations Convention on the Limitation Period in the International Sale of Goods shall not apply to sales of the products covered by this warranty.

Written notice of a product believed to be defective as covered by this warranty should be sent to American Building Supply Inc. Attention DOORMERICA HARDWARE WARRANTY 6300 South Watt Ave. Sacramento, CA 95828 USA, within 30 days from the discovery of the alleged defects, and should include the purchaser's name and address, identification of the product, and brief description of the defect. Upon receipt of such notice, the company will inform the purchaser where to ship such product, shipping charges prepaid, for examination. In the event such examination reveals a defect covered by this warranty, the Company will, at its own option, repair or replace the product, and return it or the replacement to the purchaser, with charge only for transportation.



**ABS-AMERICAN BUILDING SUPPLY, INC.**

## **Doormerica**